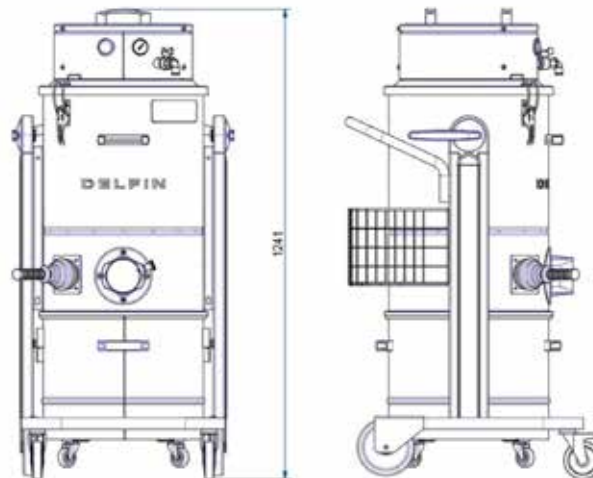


# 452 AIR 7V

INDUSTRIAL VACUUM CLEANER WITH COMPRESSED AIR FOR DUST, SOLIDS AND LIQUIDS



Filter category:



## FEATURES

Dust and solids

Compact and mobile

Complete painted steel construction

Antistatic polyester class M, integrated filter cleaning system

Exceptional ratio between air consumption and performance

All data mentioned in this document may change without notice. All data contained in this document is subject to change without notice.

**DELFIN**  
FOR A DUST-FREE WORLD  
[www.delfinvacuums.com](http://www.delfinvacuums.com)  
[delfin@delfinvacuums.it](mailto:delfin@delfinvacuums.it)

COPYRIGHT 2026 DELFIN S.R.L. ALL RIGHTS RESERVED  
COPYRIGHT 2026 DELFIN S.R.L. ALL RIGHTS RESERVED

## TECHNICAL DATA

		452AIR7V-001
Suction inlet diameter	mm	80
Tank capacity	L.	45
Noise level	dB(A)	68
Dimensions	cm	59x63x125h
Weight	kg	46
Voltage	nL/min ( <sup>3</sup> /h)	729 (43)
Air Supply Pressure	bar	6
External air supply hose diameter	mm	12
Maximum vacuum	mmH2O	3700
Continuous waterlift	mmH2O	3700
Maximum air flow	m <sup>3</sup> /h	150
Motor Type		Compressed Air / Venturi
Primary filter		Star
Primary filter surface area	cm <sup>2</sup>	20000
Primary filter diameter	mm	420
Primary filter media		Polyester
Filter class (IEC 60335-2-69) primary filter		ANT M
Filter cleaning system		Manual
Absolute HEPA Filter		Optional
Filter area of the absolute filter	cm <sup>2</sup>	11000
Absolute filter class (EN 1822-5)		H14 with 99.995% efficiency according to the MPPS method

## OPTIONAL

Code	Description
H	Additional H14 absolute filter
M PTFE ANT	Class M filter with PTFE coating, antistatic.
NOMEX	High temperature resistant filter
X	AISI 304 stainless steel container
XX	Steel container and filter chamber in AISI 304 stainless steel
CIC	Cyclone for filter protection
MT	Earth Grounding



COPYRIGHT 2026 DELFIN S.R.L. ALL RIGHTS RESERVED  
COPYRIGHT 2026 DELFIN S.R.L. ALL RIGHTS RESERVED

MACHINE CODE	DESCRIPTION
452AIR7V-001	452DS AIR 7V

All data mentioned in this document may change without notice. All data contained in this document is subject to change without notice.

**DELFIN**  
FOR A DUST-FREE WORLD

www.delfinvacuums.com  
delfin@delfinvacuums.it