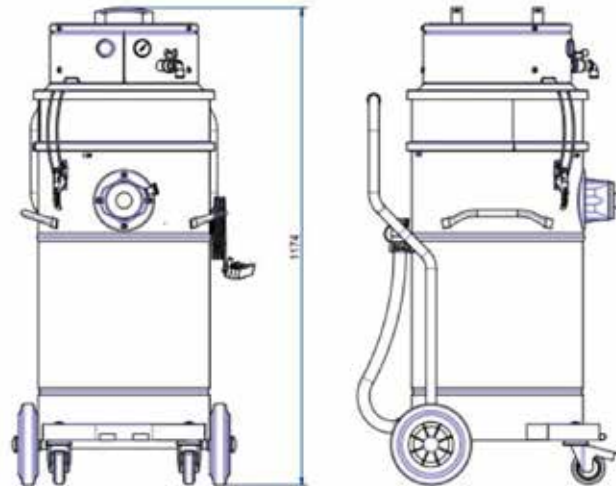


# 802 WD AIREX 14V 1/3D

COMPRESSED AIR WET VACUUM ATEX CERTIFIED FOR ZONE 20 INTERNAL AND ZONE 22 EXTERNAL



Filter category:



## FEATURES

Wet and dry

Compact and mobile

painted steel container

Polyester, ANT M class and H14, floating device for liquids

Voltage, 7 or 14 Venturi, maintenance-free

All data mentioned in this document may change without notice. All data contained in this document is subject to change without notice.

**DELFIN**  
FOR A DUST-FREE WORLD  
[www.delfinvacuums.com](http://www.delfinvacuums.com)  
[delfin@delfinvacuums.it](mailto:delfin@delfinvacuums.it)

COPYRIGHT 2026 DELFIN S.R.L. ALL RIGHTS RESERVED  
COPYRIGHT 2026 DELFIN S.R.L. ALL RIGHTS RESERVED

## TECHNICAL DATA

		802WDAIREX14VZ22-001
Use Zone		ATEX Zone: 20 Internal/22 External
Marking		II 1/3D Ex h IIIC T80°C Da/Dc
Ex Category		1/3D (20 int/22 ext)
Suction inlet diameter	mm	80
Tank capacity	L.	80
Noise level	dB(A)	68
Dimensions	cm	56x60x105h
Weight	kg	36
Voltage	nL/min ( <sup>3</sup> /h)	1458 (87)
Air Supply Pressure	bar	6
External air supply hose diameter	mm	12
Maximum vacuum	mmH2O	3700
Continuous waterlift	mmH2O	3700
Maximum air flow	m <sup>3</sup> /h	300
Motor Type		Compressed Air / Venturi
Primary filter		Bag
Primary solid filter (dry)		Bag
Filter class (IEC 60335-2-69) for dry particulate filter		ANT M PTFE
Filter surface area - solid filter (dry)	cm <sup>2</sup>	5000
Diameter of the solid filter (dry)	mm	420
Filter media for primary solid filter (dry)		Polypropylene
Primary filter (wet)		Bag
Filter area - liquid filter (wet)	cm <sup>2</sup>	5000
Diameter of liquid filter (wet)	mm	420
Filter media for liquid filter (wet)		Polypropylene
Filtration	µm	300

## OPTIONAL

Code	Description
X	AISI 304 stainless steel container



COPYRIGHT 2026 DELFIN S.R.L. ALL RIGHTS RESERVED  
COPYRIGHT 2026 DELFIN S.R.L. ALL RIGHTS RESERVED

MACHINE CODE	DESCRIPTION
802WDAIREX14VZ22-001	802 WD AIREX14V1/3 D - IECEX AC/DC 80L H MT ANT

All data mentioned in this document may change without notice. All data contained in this document is subject to change without notice.

**DELFIN**  
FOR A DUST-FREE WORLD

www.delfinvacuums.com  
delfin@delfinvacuums.it