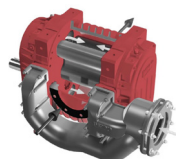


# COMPACT 22 kW TANK

COMPACT HIGH FLOW INDUSTRIAL VACUUM CLEANER 22 kW  
WITH 1000L CONTAINER



Filter category:



## FEATURES

Compact, high-performance vacuum unit for heavy industry, movable with a forklift

Equipped with a 3-lobe rotary pump Large-surface-area pocket filter with mechanical cleaning via a pneumatic piston

1000-liter removable container with bottom discharge via hatch

On-board compressor for filter cleaning and container lifting

All data mentioned in this document is subject to change without notice. All data contained in this document is subject to change without notice.

**DELFIN**  
FOR A DUST-FREE WORLD  
[www.delfinvacuums.com](http://www.delfinvacuums.com)  
[delfin@delfinvacuums.it](mailto:delfin@delfinvacuums.it)

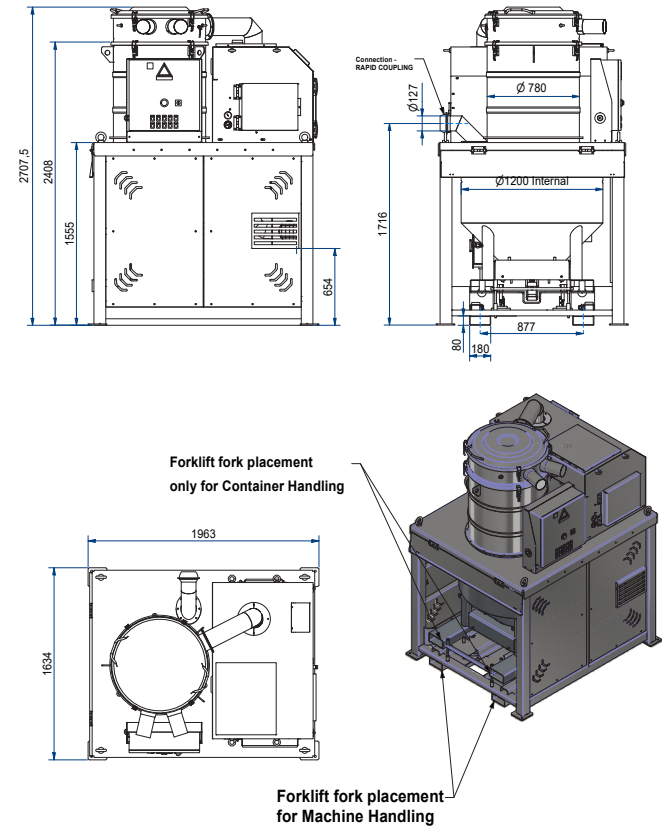
COPYRIGHT 2026 DELFIN S.R.L. ALL RIGHTS RESERVED  
COPYRIGHT 2026 DELFIN S.R.L. ALL RIGHTS RESERVED

## TECHNICAL DATA

		CP22/780AFT-001
Voltage	V	400
Power	kW	22
Frequency	Hz	50
Suction inlet diameter	mm	127
Tank capacity	L.	1000
Noise level	dB(A)	80
Dimensions	cm	196x163x272h
Weight	kg	1800
Electrical protection	IP	55
Maximum air flow	m <sup>3</sup> /h	1300
Primary filter		Pocket filter
Primary filter load	m <sup>3</sup> (m <sup>2</sup> /h)	108
Primary filter surface area	cm <sup>2</sup>	120000
Primary filter diameter	mm	780
Primary filter media		Polyester
Filter class (IEC 60335-2-69) primary filter		ANT M (Teflon coated)
safety filter		CARTRIDGE
Filter surface area of safety filter	cm <sup>2</sup>	40000
Safety filter diameter	mm	430
Filter media - safety filter		POLYESTER
Filter class - safety filter (IEC 60335-2-69)		M

## OPTIONAL

SL.3611.0200	Female spherical connection $\varnothing$ 127/102
SL.4171.0200	Female spherical connection $\varnothing$ 127/80 - Female spherical connection $\varnothing$ 127/80
SL.6716.0200	Female spherical connection $\varnothing$ 127/70 - Female spherical connection $\varnothing$ 127/70
EP.0104.0000	Neoprene power cable H07RNF 4G10 (22 kW)
EP.0667.0000	Plug 63A 3P+T IP67
EP.0711.0000	
FI.0199.0000	M PTFE filter with membranes 24T D780 H800



COPYRIGHT 2026 DELFIN S.R.L. ALL RIGHTS RESERVED  
COPYRIGHT 2026 DELFIN S.R.L. ALL RIGHTS RESERVED

MACHINE CODE	DESCRIPTION
CP22-780AFT-001	COMPACT 22 kW AIRFLOW TANK

All data mentioned in this document is subject to change without notice. All data contained in this document is subject to change without notice.

**DELFIN**  
FOR A DUST-FREE WORLD

www.delfinvacuums.com  
delfin@delfinvacuums.it