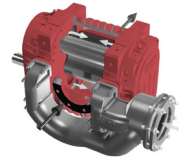


COMPACT 22 kW TANK

COMPACT INDUSTRIAL VACUUM CLEANER HIGH VACUUM 22 kW WITH 1000L TANK



Filter category:



FEATURES

Compact, high-performance vacuum unit for heavy industry, movable with a forklift

Equipped with a 3-lobe rotary pump Large-surface-area pocket filter with mechanical cleaning via a pneumatic piston

1000-liter removable container with bottom discharge via hatch

On-board compressor for filter cleaning and container lifting

All data mentioned in this document is subject to change without notice. All data contained in this document is subject to change without notice.

DELFIN
FOR A DUST-FREE WORLD
www.delfinvacuums.com
delfin@delfinvacuums.it

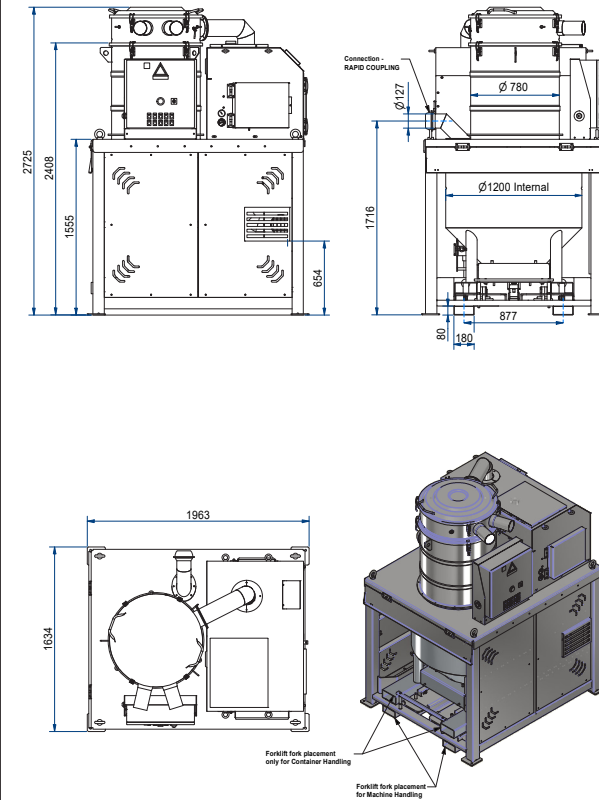
COPYRIGHT 2026 DELFIN S.R.L. ALL RIGHTS RESERVED
COPYRIGHT 2026 DELFIN S.R.L. ALL RIGHTS RESERVED

TECHNICAL DATA

		CP22/780HVT-001
Voltage	V	400
Power	kW	22
Frequency	Hz	50
Suction inlet diameter	mm	127
Tank capacity	L.	1000
Noise level	dB(A)	80
Dimensions	cm	196x163x272h
Weight	kg	1800
Electrical protection	IP	55
Maximum air flow	m ³ /h	1100
Primary filter		Pocket filter
Primary filter load	m ³ (m ² /h)	92
Primary filter surface area	cm ²	120000
Primary filter diameter	mm	780
Primary filter media		Polyester
Filter class (IEC 60335-2-69) primary filter		ANT M (Teflon coated)
safety filter		CARTRIDGE
Filter surface area of safety filter	cm ²	40000
Safety filter diameter	mm	430
Filter media - safety filter		POLYESTER
Filter class - safety filter (IEC 60335-2-69)		M

OPTIONAL

SL.3611.0200	Female spherical connection \varnothing 127/102
SL.4171.0200	Female spherical connection \varnothing 127/80 - Female spherical connection \varnothing 127/80
SL.6716.0200	Female spherical connection \varnothing 127/70 - Female spherical connection \varnothing 127/70
EP.0104.0000	Neoprene power cable H07RNF 4G10 (22 kW)
EP.0667.0000	Plug 63A 3P+T IP67
EP.0711.0000	
FI.0199.0000	M PTFE filter with membranes 24T D780 H800



COPYRIGHT 2026 DELFIN S.R.L. ALL RIGHTS RESERVED
COPYRIGHT 2026 DELFIN S.R.L. ALL RIGHTS RESERVED

MACHINE CODE	DESCRIPTION
CP22-780HVT-001	COMPACT 22 KW HIGH VACUUM TANK

All data mentioned in this document is subject to change without notice. All data contained in this document is subject to change without notice.

DELFIN
FOR A DUST-FREE WORLD

www.delfinvacuums.com
delfin@delfinvacuums.it