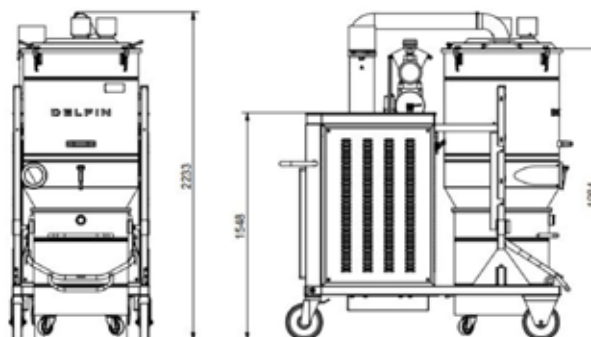


DG 300 SE

COMPACT, DURABLE AND SAFE SOLUTION WITH ADVANCED ATEX CERTIFIED FILTRATION

Filter category:



FEATURES

Dust and solids

Industrial construction with high durability and easy maintenance, with forklift pockets
Complete painted steel construction

Integrated automatic filter shaker

Continuous service, no maintenance required

COPYRIGHT 2026 DELFIN S.R.L. ALL RIGHTS RESERVED
COPYRIGHT 2026 DELFIN S.R.L. ALL RIGHTS RESERVED

All data mentioned in this document may change without notice. All data contained in this document is subject to change without notice.

DELFIN
FOR A DUST-FREE WORLD
www.delfinvacuums.com
delfin@delfinvacuums.it

TECHNICAL DATA

		DG300SE-001
Voltage	V	400
Power	kW	20
Frequency	Hz	50
Current draw	A	40
Suction inlet diameter	mm	120
Tank capacity	L.	220
Noise level	dB(A)	77
Dimensions	cm	97x220x220h
Weight	kg	760
Electrical protection	IP	65
Maximum vacuum	mmH2O	5000
Continuous waterlift	mmH2O	4500
Maximum air flow	m ³ /h	1050
Motor Type		Three-phase Turbine
Primary filter		Star
Primary filter load	m ³ (m ² /h)	92
Primary filter surface area	cm ²	120000
Primary filter diameter	mm	780
Primary filter media		Polyester
Filter class (IEC 60335-2-69) primary filter		ANT M
Filter cleaning system		Automatic AUT
Absolute HEPA Filter		Optional
Filter area of the absolute filter	cm ²	103500
Absolute filter class (EN 1822-5)		H14 with 99.995% efficiency according to the MPPS method
Pressure relief valve		Included
Compressor		Included

MACHINE CODE	DESCRIPTION
DG300SE-001	DG300 SE 220L DT DS

OPTIONAL

Code	Description
H	Additional H14 absolute filter
M PTFE ANT	Class M filter with PTFE coating, antistatic.
X	AISI 304 stainless steel container
XX	Steel container and filter chamber in AISI 304 stainless steel
MT	Earth Grounding
LOC/REM (ATEX+25%)	Remote control (with 24V electric panel if not present) +25% ATEX
HARDOX	Reinforced plate for filter chamber



COPYRIGHT 2026 DELFIN S.R.L. ALL RIGHTS RESERVED
COPYRIGHT 2026 DELFIN S.R.L. ALL RIGHTS RESERVED

DELFIN
FOR A DUST-FREE WORLD

www.delfinvacuums.com
delfin@delfinvacuums.it