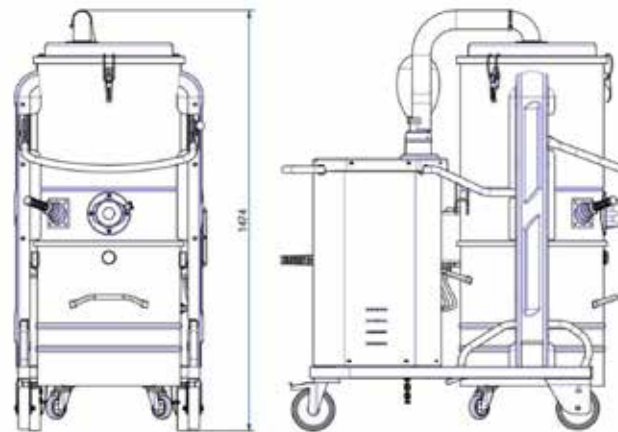


DG30 EXP EX1/2D-001

ATEX CERTIFIED INDUSTRIAL VACUUM CLEANER ON WHEELS FOR DUST, SOLIDS AND LIQUIDS



Filter category:



FEATURES

Compact, stable and mobile

Stainless Steel Tank

Antistatic filter class M, absolute filter (H14) included

Ex-certified, dust-tight side-channel blower and control panel

Compliance with EN IEC 62784:2018 for Zone 22

COPYRIGHT 2026 DELFIN S.R.L. ALL RIGHTS RESERVED
COPYRIGHT 2026 DELFIN S.R.L. ALL RIGHTS RESERVED

TECHNICAL DATA

		DG30EXPEX1/2D-001
Use Zone		ATEX Zone: 20 Internal/21 External
Marking		II 1/2D Ex h tb IIIC T135°C (Int) / T195°C (ext) Da/Db
Ex Category		1/2D (20 int/21 ext)
Voltage	V	400
Power	kW	4
Frequency	Hz	50
Current draw	A	7.4
Suction inlet diameter	mm	80
Tank capacity	L.	100
Noise level	dB(A)	72
Dimensions	cm	67x120x145h
Weight	kg	145
Electrical protection	IP	65
Maximum vacuum	mmH2O	2400
Continuous waterlift	mmH2O	2400
Maximum air flow	m ³ /h	420
Motor Type		Three-phase Turbine
Primary filter		Star
Primary solid filter (dry)		Star
Filter class (IEC 60335-2-69) for dry particulate filter		ANT M
Filter surface area - solid filter (dry)	cm ²	30000
Diameter of the solid filter (dry)	mm	500
Filter media for primary solid filter (dry)		Polyester
Filter cleaning system		Manual
Absolute HEPA Filter		Included
Filter area of the absolute filter	cm ²	26000

OPTIONAL

Code	Description	
X	AISI 304 stainless steel container	INCLUDED
XX	Steel container and filter chamber in AISI 304 stainless steel	
XXX	Chamber chassis, container and trolley in AISI 304 stainless steel	



COPYRIGHT 2026 DELFIN S.R.L. ALL RIGHTS RESERVED
COPYRIGHT 2026 DELFIN S.R.L. ALL RIGHTS RESERVED

MACHINE CODE	DESCRIPTION
DG30EXPEX1-2D-001	DG30 EXP EX1/2D

All data mentioned in this document may change without notice. All data contained in this document is subject to change without notice.

DELFIN
FOR A DUST-FREE WORLD

www.delfinvacuums.com
delfin@delfinvacuums.it