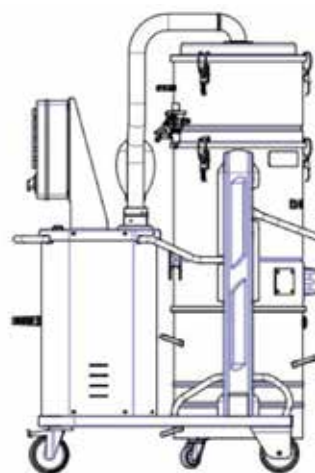


DG 30 EXP PN

Wheeled INDUSTRIAL VACUUM CLEANERS for Suction of Large Quantities of Dry DUST



Filter category:



FEATURES

Packed solids and dust

Easy to move

Industrial construction with high durability and easy maintenance
Antistatic polyester class M cartridges with automatic pneumatic cleaning of the filters with compressed air during extraction

High autonomy, continuous service, maintenance-free, safety relief valve included

TECHNICAL DATA

		DG30EXPPN-001
Voltage	V	400
Power	kW	3.45
Frequency	Hz	50
Current draw	A	6.9
Suction inlet diameter	mm	80
Tank capacity	L.	100
Noise level	dB(A)	70
Dimensions	cm	67x120x187h
Weight	kg	136
Electrical protection	IP	65
Maximum vacuum		3200
Continuous waterlift		2600
Maximum air flow		318
Motor Type		Three-phase Turbine
Primary filter		Cartridge
Number of cartridges		3 - 150 x 500h
Primary filter load	m ³ (m ² /h)	56
Primary filter surface area	cm ²	57000
Primary filter media		Polyester
Filter class (IEC 60335-2-69) primary filter		ANT M
Filter cleaning system		PN - Automatic compressed-air filter cleaning system during vacuuming
Absolute HEPA Filter		Optional
Filter area of the absolute filter	cm ²	26000
Absolute filter class (EN 1822-5)		H14 with 99.995% efficiency according to the MPPS method
Pressure relief valve		Included

MACHINE CODE	DESCRIPTION
DG30EXPPN-001	DG30 EXPORT PN 100L DT DS

OPTIONAL

Code	Description	
H	Additional H14 absolute filter	
ANT M	Antistatic Filter Class M	INCLUDED
M PTFE	Class M filter with PTFE coating	
COMP (NOT ATEX)	Compressor installed, not ATEX version	
X	AISI 304 stainless steel container	
XX	Steel container and filter chamber in AISI 304 stainless steel	
XXX	Chamber chassis, container and trolley in AISI 304 stainless steel	
CIC	Cyclone for filter protection	INCLUDED
MT	Earth Grounding	
LOC/REM (ATEX+25%)	Remote control (with 24V electric panel if not present) +25% ATEX	



COPYRIGHT 2026 DELFIN S.R.L. ALL RIGHTS RESERVED

DELFIN
FOR A DUST-FREE WORLD

www.delfinvacuums.com
delfin@delfinvacuums.it

All data mentioned in this document may change without notice. All data contained in this document is subject to change without notice.