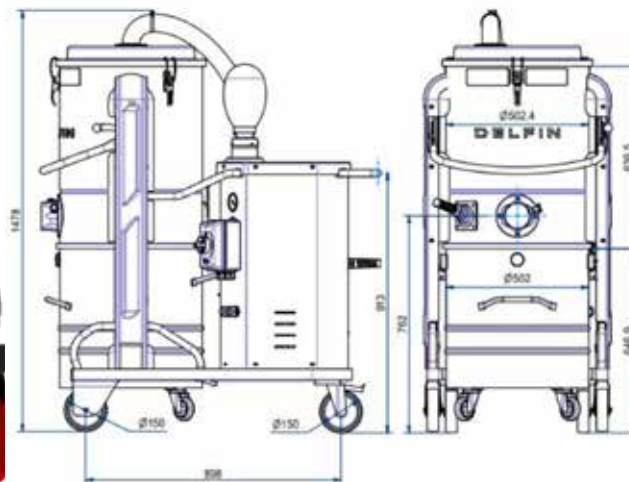


# DG 50 EXP

INDUSTRIAL VACUUM CLEANERS ON TROLLEY FOR DUST, SOLIDS AND LIQUIDS APPLICATIONS



Filter category:



## FEATURES

Dust / Solids

Industrial construction with high durability and easy maintenance

Painted steel construction with ABS accessory holder

class L with manual filter cleaning system

Motors suitable for continuous service, numerous options available

All data mentioned in this document may change without notice. All data contained in this document is subject to change without notice.

**DELFIN**  
FOR A DUST-FREE WORLD  
[www.delfinvacuums.com](http://www.delfinvacuums.com)  
[delfin@delfinvacuums.it](mailto:delfin@delfinvacuums.it)

COPYRIGHT 2026 DELFIN S.R.L. ALL RIGHTS RESERVED  
COPYRIGHT 2026 DELFIN S.R.L. ALL RIGHTS RESERVED

## TECHNICAL DATA

		DG50EXP-001
Voltage	V	400
Power	kW	4.6
Frequency	Hz	50
Current draw	A	8.6
Suction inlet diameter	mm	80
Tank capacity	L.	100
Noise level	dB(A)	72
Dimensions	cm	67x120x148h
Weight	kg	137
Electrical protection	IP	65
Maximum vacuum		3200
Continuous waterlift		2600
Maximum air flow		420
Motor Type		Three-phase Turbine
Primary filter		Star
Primary filter load	m <sup>3</sup> (m <sup>2</sup> /h)	140
Primary filter surface area	cm <sup>2</sup>	30000
Primary filter diameter	mm	500
Primary filter media		Polyester
Filter class (IEC 60335-2-69) primary filter		L
Filter cleaning system		Manual
Absolute HEPA Filter		Optional
Filter area of the absolute filter	cm <sup>2</sup>	26000
Absolute filter class (EN 1822-5)		H14 with 99.995% efficiency according to the MPPS method
Pressure relief valve		Included

MACHINE CODE	DESCRIPTION
DG50EXP-001	DG50 EXPORT 100L DT DS

All data mentioned in this document may change without notice. All data contained in this document is subject to change without notice.

## OPTIONAL

Code	Description
H	Additional H14 absolute filter
ANT M	Antistatic Filter Class M
M PTFE	Class M filter with PTFE coating
CA	Activated carbon filter
CA + H	Activated carbon filter + Absolute filter
ELF	Extra-large filter - 49,000 cm <sup>2</sup>
AUT	Automatic filter shaking with 24V panel, without compressor
X	AISI 304 stainless steel container
XX	Steel container and filter chamber in AISI 304 stainless steel
XXX	Chamber chassis, container and trolley in AISI 304 stainless steel
CIC	Cyclone for filter protection



COPYRIGHT 2026 DELFIN S.R.L. ALL RIGHTS RESERVED  
COPYRIGHT 2026 DELFIN S.R.L. ALL RIGHTS RESERVED

**DELFIN**  
FOR A DUST-FREE WORLD

www.delfinvacuums.com  
delfin@delfinvacuums.it