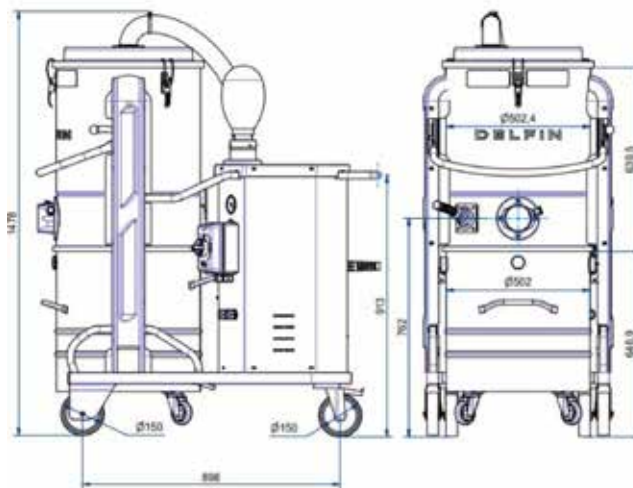


# DG 50 EXP SE

INDUSTRIAL VACUUM CLEANER ON TROLLEY FOR HEAVY MATERIAL EXTRACTION



Filter category:



## FEATURES

Dust and solids

Industrial construction with high durability and easy maintenance

Painted steel construction with ABS accessory holder

class L with manual filter cleaning system

Motors suitable for continuous service, numerous options available

All data mentioned in this document may change without notice. All data contained in this document is subject to change without notice.

**D E L F I N**  
FOR A DUST-FREE WORLD  
[www.delfinvacuums.com](http://www.delfinvacuums.com)  
[delfin@delfinvacuums.it](mailto:delfin@delfinvacuums.it)

COPYRIGHT 2026 DELFIN S.R.L. ALL RIGHTS RESERVED  
COPYRIGHT 2026 DELFIN S.R.L. ALL RIGHTS RESERVED

## TECHNICAL DATA

|  |                                    | DG50EXPSE-001  |
|--|------------------------------------|--|
| Voltage                                      | V                                  | 400  |
| Power  | kW                                 | 4.6  |
| Frequency                                    | Hz                                 | 50   |
| Current draw                                 | A                                  | 8.6  |
| Suction inlet diameter                       | mm                                 | 80   |
| Tank capacity                                | L.                                 | 100  |
| Noise level                                  | dB(A)                              | 73   |
| Dimensions                                   | cm                                 | 67x120x148h  |
| Weight                                       | kg                                 | 145  |
| Electrical protection                        | IP                                 | 65   |
| Maximum vacuum                               |                                    | 5100   |
| Continuous waterlift                         |                                    | 4000   |
| Maximum air flow                             |                                    | 320  |
| Motor Type                                   |                                    | Three-phase Turbine                                      |
| Primary filter                               |                                    | Star   |
| Primary filter load                          | m <sup>3</sup> (m <sup>2</sup> /h) | 107  |
| Primary filter surface area                  | cm <sup>2</sup>                    | 30000  |
| Primary filter diameter                      | mm                                 | 500  |
| Primary filter media                         |                                    | Polyester  |
| Filter class (IEC 60335-2-69) primary filter |                                    | L  |
| Filter cleaning system                       |                                    | Manual   |
| Absolute HEPA Filter                         |                                    | Optional   |
| Filter area of the absolute filter           | cm <sup>2</sup>                    | 26000  |
| Absolute filter class (EN 1822-5)            |                                    | H14 with 99.995% efficiency according to the MPPS method |
| Pressure relief valve                        |                                    | Included   |

| MACHINE CODE  | DESCRIPTION               |
|---------------|---------------------------|
| DG50EXPSE-001 | DG50 EXPORT SE 100L DT DS |

All data mentioned in this document may change without notice. All data contained in this document is subject to change without notice.

## OPTIONAL

| Code   | Description  |
|--------|--|
| H      | Additional H14 absolute filter                                     |
| ANT M  | Antistatic Filter Class M  |
| M PTFE | Class M filter with PTFE coating                                   |
| CA     | Activated carbon filter  |
| CA + H | Activated carbon filter + Absolute filter                          |
| ELF    | Extra-large filter - 49,000 cm <sup>2</sup>                        |
| AUT    | Automatic filter shaking with 24V panel, without compressor        |
| X      | AISI 304 stainless steel container                                 |
| XX     | Steel container and filter chamber in AISI 304 stainless steel     |
| XXX    | Chamber chassis, container and trolley in AISI 304 stainless steel |
| CIC    | Cyclone for filter protection                                      |



COPYRIGHT 2026 DELFIN S.R.L. ALL RIGHTS RESERVED  
COPYRIGHT 2026 DELFIN S.R.L. ALL RIGHTS RESERVED

**DELFIN**  
FOR A DUST-FREE WORLD

www.delfinvacuums.com  
delfin@delfinvacuums.it