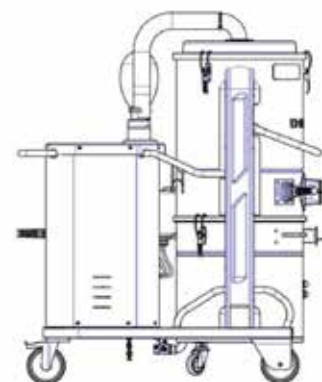
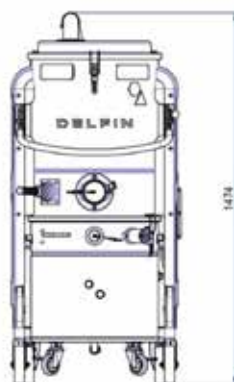


DG50 EXP IECEX

IECEX CERTIFIED INDUSTRIAL VACUUM CLEANER ON WHEELS



Filter category:



FEATURES

Dust / IECEX certification

Compact, stable and mobile

Stainless Steel Tank

Antistatic filter class M, absolute filter (H14) included

ATEX-certified turbine and components suitable for continuous operation, no maintenance required

All data mentioned in this document may change without notice. All data contained in this document is subject to change without notice.

D E L F I N
FOR A DUST-FREE WORLD
www.delfinvacuums.com
delfin@delfinvacuums.it

COPYRIGHT 2026 DELFIN S.R.L. ALL RIGHTS RESERVED
COPYRIGHT 2026 DELFIN S.R.L. ALL RIGHTS RESERVED

TECHNICAL DATA

 **OPTIONAL**

| | | DG50IECEX-002 |
|--|-------------------|--|
| Use Zone | | ATEX Zone: 20 Internal/21 External |
| Marking | | Ex h IIIC T135°C Da/Db |
| Ex Category | | 1/2D (20 int/21 ext) |
| Voltage | V | 400 |
| Power | kW | 4 |
| Frequency | Hz | 50 |
| Current draw | A | 7.7 |
| Suction inlet diameter | mm | 80 |
| Tank capacity | L. | 100 |
| Noise level | dB(A) | 72 |
| Dimensions | cm | 67x120x145h |
| Weight | kg | 145 |
| Electrical protection | IP | 65 |
| Maximum vacuum | mmH2O | 2300 |
| Continuous waterlift | mmH2O | 2300 |
| Maximum air flow | m ³ /h | 320 |
| Motor Type | | Three-phase Turbine |
| Primary filter | | Star |
| Primary solid filter (dry) | | Star |
| Filter class (IEC 60335-2-69) for dry particulate filter | | ANT PTFE |
| Filter surface area - solid filter (dry) | cm ² | 30000 |
| Diameter of the solid filter (dry) | mm | 500 |
| Filter media for primary solid filter (dry) | | Polyester |
| Filter cleaning system | | Manual |
| Absolute HEPA Filter | | Standard |
| Filter area of the absolute filter | cm ² | 26000 |
| Absolute filter class (EN 1822-5) | | H14 with 99.995% efficiency according to the MPPS method |

| MACHINE CODE | DESCRIPTION |
|---------------|-----------------------|
| DG50IECEX-002 | DG 50 EXP INERT IECEX |



COPYRIGHT 2026 DELFIN S.R.L. ALL RIGHTS RESERVED
COPYRIGHT 2026 DELFIN S.R.L. ALL RIGHTS RESERVED

DELFIN
FOR A DUST-FREE WORLD

www.delfinvacuums.com
delfin@delfinvacuums.it

All data mentioned in this document may change without notice. All data contained in this document is subject to change without notice.