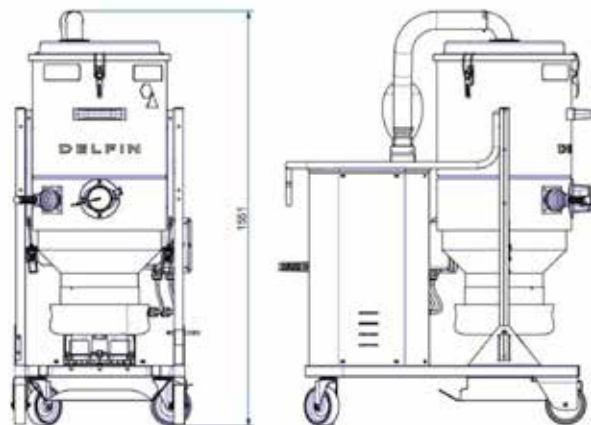


DG50 EXP IECEX

IECEX CERTIFIED INDUSTRIAL VACUUM CLEANER ON WHEELS



Filter category:



FEATURES

Dust / IECEX certification

Compact, stable and mobile

Stainless Steel Tank

Antistatic filter class M, absolute filter (H14) included

ATEX-certified turbine and components suitable for continuous operation, no maintenance required

COPYRIGHT 2026 DELFIN S.R.L. ALL RIGHTS RESERVED
COPYRIGHT 2026 DELFIN S.R.L. ALL RIGHTS RESERVED

TECHNICAL DATA

 OPTIONAL

		DG50IECEX-003
Use Zone		ATEX Zone: 20 Internal/21 External
Marking		Ex h IIIC T135°C Da/Db
Ex Category		1/2D (20 int/21 ext)
Voltage	V	400
Power	kW	4
Frequency	Hz	50
Current draw	A	7.7
Suction inlet diameter	mm	80
Tank capacity	L.	100
Noise level	dB(A)	72
Dimensions	cm	67x120x155h
Weight	kg	145
Electrical protection	IP	65
Maximum vacuum	mmH2O	2300
Continuous waterlift	mmH2O	2300
Maximum air flow	m ³ /h	320
Motor Type		Three-phase Turbine
Primary filter		Star
Primary solid filter (dry)		Star
Filter class (IEC 60335-2-69) for dry particulate filter		ANT PTFE
Filter surface area - solid filter (dry)	cm ²	30000
Diameter of the solid filter (dry)	mm	500
Filter media for primary solid filter (dry)		Polyester
Filter cleaning system		Manual
Absolute HEPA Filter		Included
Filter area of the absolute filter	cm ²	27100
Absolute filter class (EN 1822-5)		H14 with 99.995% efficiency according to the MPPS method
Pressure relief valve		Included



COPYRIGHT 2026 DELFIN S.R.L. ALL RIGHTS RESERVED
COPYRIGHT 2026 DELFIN S.R.L. ALL RIGHTS RESERVED

DELFIN
FOR A DUST-FREE WORLD

www.delfinvacuums.com
delfin@delfinvacuums.it

All data mentioned in this document may change without notice. All data contained in this document is subject to change without notice.