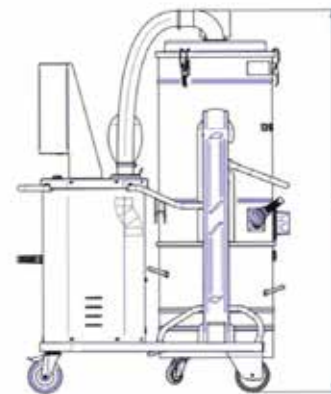
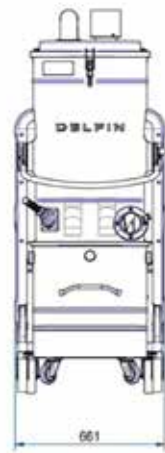


# DG 75 AF

HIGH-CAPACITY WHEELED INDUSTRIAL VACUUM CLEANER



Filter category:



## FEATURES

Dust and solids

Industrial construction with high durability and easy maintenance

Complete painted steel construction

Antistatic polyester class M with integrated manual filter cleaning

Continuous service, no maintenance required

All data mentioned in this document may change without notice. All data contained in this document is subject to change without notice.

**DELFIN**  
FOR A DUST-FREE WORLD  
[www.delfinvacuums.com](http://www.delfinvacuums.com)  
[delfin@delfinvacuums.it](mailto:delfin@delfinvacuums.it)

COPYRIGHT 2026 DELFIN S.R.L. ALL RIGHTS RESERVED  
COPYRIGHT 2026 DELFIN S.R.L. ALL RIGHTS RESERVED

## TECHNICAL DATA

		DG75AF-001
Voltage	V	400
Power	kW	8.6
Frequency	Hz	50
Current draw	A	15.5
Suction inlet diameter	mm	80
Tank capacity	L.	100
Noise level	dB(A)	76
Dimensions	cm	66x120x175h
Weight	kg	170
Electrical protection	IP	65
Maximum vacuum		3200
Continuous waterlift		2900
Maximum air flow		700
Motor Type		Three-phase Turbine
Primary filter		Star
Primary filter load	m <sup>3</sup> (m <sup>2</sup> /h)	143
Primary filter surface area	cm <sup>2</sup>	49000
Primary filter diameter	mm	500
Primary filter media		Polyester
Filter class (IEC 60335-2-69) primary filter		ANT M
Filter cleaning system		Manual
Absolute HEPA Filter		Optional
Filter area of the absolute filter	cm <sup>2</sup>	52000
Absolute filter class (EN 1822-5)		H14 with 99.995% efficiency according to the MPPS method
Pressure relief valve		Included

MACHINE CODE	DESCRIPTION
DG75AF-001	DG75 AIRFLOW 100L DT DS

All data mentioned in this document may change without notice. All data contained in this document is subject to change without notice.

## OPTIONAL

Code	Description
H	Additional H14 absolute filter
M PTFE	Class M filter with PTFE coating
AUT	Automatic filter shaking with 24V panel, without compressor
X	AISI 304 stainless steel container
XX	Steel container and filter chamber in AISI 304 stainless steel
MT	Earth Grounding
DEPR	Pressure differential kit for use of disposable bag
WITH LIFTING EYES + EYELETS	Forklift attachment and eyebolts



COPYRIGHT 2026 DELFIN S.R.L. ALL RIGHTS RESERVED

**DELFIN**  
FOR A DUST-FREE WORLD

www.delfinvacuums.com  
delfin@delfinvacuums.it