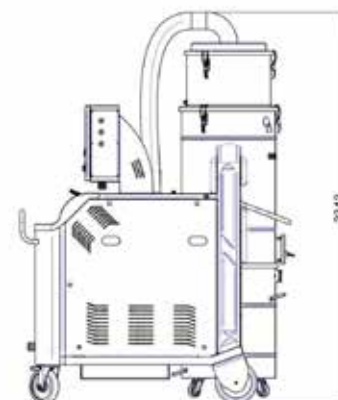
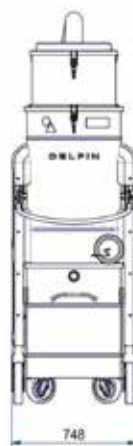


DGVL185EX1/2D-001

INDUSTRIAL VACUUM CLEANERS FOR HEAVY AND CONTINUOUS APPLICATIONS



Filter category:



FEATURES

Industrial construction with high durability and easy maintenance
Stainless Steel Tank

Antistatic filter class M, absolute filter (H14) included

Certified dust-tight Ex tb control panel, ATEX-certified filter cleaning systems, capacitance and pressure sensors or connectors

Compliance with EN IEC 62784:2018 for Zone 22

All data mentioned in this document may change without notice. All data contained in this document is subject to change without notice.

DELFIN
FOR A DUST-FREE WORLD
www.delfinvacuums.com
delfin@delfinvacuums.it

COPYRIGHT 2026 DELFIN S.R.L. ALL RIGHTS RESERVED
COPYRIGHT 2026 DELFIN S.R.L. ALL RIGHTS RESERVED

TECHNICAL DATA

		DGVL185EX1/2D-001
Use Zone		ATEX Zone: 20 Internal/21 External
Marking		II 1/2D Ex h tb IIIC T135°C (Int) / T195°C (ext) Da/Db
Ex Category		1/2D (20 int/21 ext)
Voltage	V	400
Power	kW	18.5
Frequency	Hz	50
Current draw	A	32.5
Suction inlet diameter	mm	120
Tank capacity	L.	160
Noise level	dB(A)	78
Dimensions	cm	170x74x240h
Weight	kg	200
Electrical protection	IP	65
Maximum vacuum	mmH2O	2600
Continuous waterlift	mmH2O	2600
Maximum air flow	m ³ /h	1350
Motor Type		Three-phase Turbine
Primary filter		Star
Primary filter surface area	cm ²	70000
Primary filter diameter	mm	560
Primary filter media		Polyester
Filter class (IEC 60335-2-69) primary filter		ANT M
Filter cleaning system		SELF CLEAN
Absolute HEPA Filter		Included
Filter area of the absolute filter	cm ²	103000
Absolute filter class (EN 1822-5)		H14 with 99.995% efficiency according to the MPPS method

MACHINE CODE	DESCRIPTION
DGVL185EX1/2D-001	DGVL 185 EX1/2D

OPTIONAL

Code	Description	
X	AISI 304 stainless steel container	INCLUDED
XX	Steel container and filter chamber in AISI 304 stainless steel	



COPYRIGHT 2026 DELFIN S.R.L. ALL RIGHTS RESERVED
COPYRIGHT 2026 DELFIN S.R.L. ALL RIGHTS RESERVED

DELFIN
FOR A DUST-FREE WORLD

www.delfinvacuums.com
delfin@delfinvacuums.it

All data mentioned in this document may change without notice. All data contained in this document is subject to change without notice.