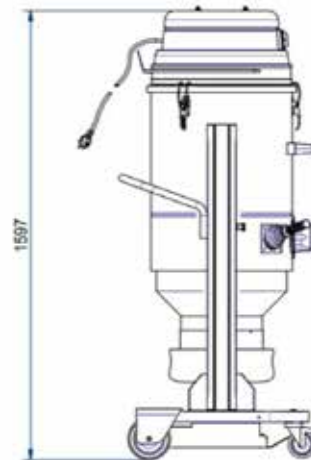
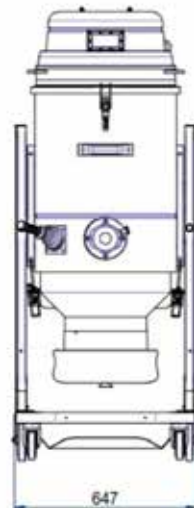


DM2 EL 1/2D LP

INDUSTRIAL VACUUM CLEANER FOR COMBUSTIBLE DUST ATEX CERTIFIED
FOR INTERNAL ZONE 20 AND EXTERNAL ZONE 22



Filter category:



FEATURES

Dust and solids / suitable for work in zone 21 (cat. 2D)

Compact and mobile

Polyester, Antistatic Filter Class M, Integrated manual filter cleaning system

Certified Ex tb Dust Tight IP64 head, ATEX-tested accessories and non-metallic parts

Compliance with EN IEC 62784:2018 for Zone 22 Discharge system: Endless Bag

All data mentioned in this document may change without notice. All data contained in this document is subject to change without notice.

DELFIN
FOR A DUST-FREE WORLD
www.delfinvacuums.com
delfin@delfinvacuums.it

COPYRIGHT 2026 DELFIN S.R.L. ALL RIGHTS RESERVED
COPYRIGHT 2026 DELFIN S.R.L. ALL RIGHTS RESERVED

TECHNICAL DATA

 OPTIONAL

		DM2ELLPZ21-001
Use Zone		ATEX Zone: 20 Internal/21 External
Marking		II 1/2D Ex h tb IIIC T80°C (Int) /T95°C (ext) Da/Db
Ex Category		1/2D (20 int/21 ext)
Voltage	V	230
Power	kW	2.2
Frequency	Hz	50/60
Current draw	A	16
Suction inlet diameter	mm	80
Tank capacity	L.	20
Noise level	dB(A)	74
Dimensions	cm	73x66x168h
Weight	kg	72
Maximum vacuum	mmH2O	2250
Continuous waterlift	mmH2O	2250
Maximum air flow	m ³ /h	430
Motor Type		Single-phase Brushless
Primary filter		Star
Primary filter load	m ³ (m ² /h)	180
Primary filter surface area	cm ²	30000
Primary filter diameter	mm	500
Primary filter media		Polyester
Filter class (IEC 60335-2-69) primary filter		ANT M
Filter cleaning system		Manual
Absolute HEPA Filter		Standard
Filter area of the absolute filter	cm ²	26000
Absolute filter class (EN 1822-5)		H14 with 99.995% efficiency according to the MPPS method

MACHINE CODE	DESCRIPTION
DM2ELLPZ21-001	DM2EL LP EX 1/2D - IECEX Da/Db 2BL 20M DS H KIT 50



COPYRIGHT 2026 DELFIN S.R.L. ALL RIGHTS RESERVED
COPYRIGHT 2026 DELFIN S.R.L. ALL RIGHTS RESERVED

DELFIN
FOR A DUST-FREE WORLD

www.delfinvacuums.com
delfin@delfinvacuums.it

All data mentioned in this document may change without notice. All data contained in this document is subject to change without notice.