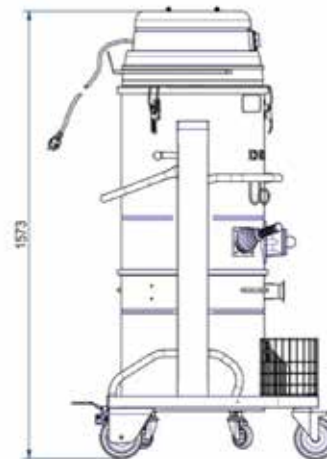
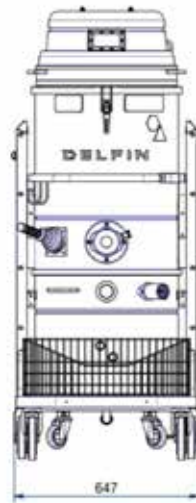


# DM2 1/3D INERT

ATEX CERTIFIED INDUSTRIAL VACUUM CLEANER FOR SUCTION OF CONDUCTIVE DUST



Filter category:



## FEATURES

Dust and solids

Compact and mobile

painted steel construction, AISI304 container

Polyester M ANT and HEPA with integrated manual filter cleaning and filter clogging indicator

Ex tb suction head with IP64-certified dust-tight seal. Neutralization system for reactive dusts with performance testing according to EN17348. ATEX accessories and tested non-metallic parts,

Compliance with EN IEC 62784:2018 for Zone 22

All data mentioned in this document may change without notice. All data contained in this document is subject to change without notice.

**DELFIN**  
FOR A DUST-FREE WORLD  
[www.delfinvacuums.com](http://www.delfinvacuums.com)  
[delfin@delfinvacuums.it](mailto:delfin@delfinvacuums.it)

COPYRIGHT 2026 DELFIN S.R.L. ALL RIGHTS RESERVED  
COPYRIGHT 2026 DELFIN S.R.L. ALL RIGHTS RESERVED

## TECHNICAL DATA

 OPTIONAL

		DM2INERTZ22-001
Use Zone		ATEX Zone: 20 Internal/22 External
Marking		II 1/3D Ex h tb IIIC T80°C (Int) / T95°C (ext) Da/Dc
Ex Category		1/3D (20 int/22 ext)
Voltage	V	230
Power	kW	2.3
Frequency	Hz	50/60
Current draw	A	10
Suction inlet diameter	mm	50
Noise level	dB(A)	74
Dimensions	cm	66x83x160h
Weight	kg	90
Inerting liquid capacity	L.	37
Inerting liquid capacity + Suctioned material		44
Maximum vacuum	mmH2O	2500
Continuous waterlift	mmH2O	2500
Maximum air flow	m <sup>3</sup> /h	360
Motor Type		Single-phase Bypass
Primary filter		Star
Primary filter load	m <sup>3</sup> (m <sup>2</sup> /h)	120
Primary filter surface area	cm <sup>2</sup>	30000
Primary filter diameter	mm	500
Primary filter media		Polyester
Filter class (IEC 60335-2-69) primary filter		ANT M
Filter cleaning system		Manual
Absolute HEPA Filter		Included
Filter area of the absolute filter	cm <sup>2</sup>	26000



COPYRIGHT 2026 DELFIN S.R.L. ALL RIGHTS RESERVED  
COPYRIGHT 2026 DELFIN S.R.L. ALL RIGHTS RESERVED

MACHINE CODE	DESCRIPTION
DM2INERTZ22-001	DM2 EX 1/3D - IECEX Da/Dc 2BP 100L DT DS X H INERT

All data mentioned in this document may change without notice. All data contained in this document is subject to change without notice.

**DELFIN**  
FOR A DUST-FREE WORLD

www.delfinvacuums.com  
delfin@delfinvacuums.it