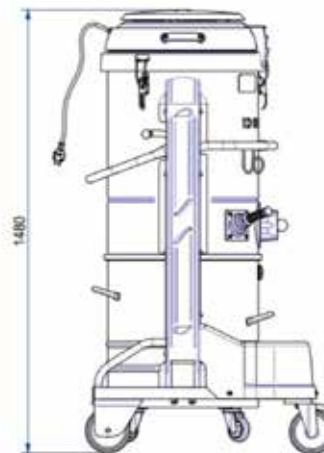
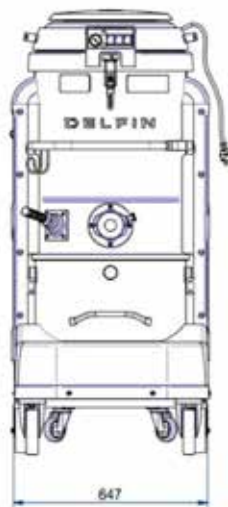


DM3

THE IDEAL VACUUM CLEANER FOR EVERY INDUSTRIAL APPLICATION



Filter category:



FEATURES

Dust

Compact and mobile

Complete painted steel construction

class M, PTFE filter

Endless Bag system for safe dust collection and adjustable height to simplify transport on vans

All data mentioned in this document may change without notice. All data contained in this document is subject to change without notice.

DELFIN
FOR A DUST-FREE WORLD
www.delfinvacuums.com
delfin@delfinvacuums.it

COPYRIGHT 2026 DELFIN S.R.L. ALL RIGHTS RESERVED
COPYRIGHT 2026 DELFIN S.R.L. ALL RIGHTS RESERVED

TECHNICAL DATA

| | | D/M3-001 |
|--|------------------------------------|--|
| Voltage | V | 230 |
| Power | kW | 3.45 |
| Frequency | Hz | 50 |
| Current draw | A | 15 |
| Other Available Voltage | V | 115 |
| Suction inlet diameter | mm | 80 |
| Tank capacity | L. | 100 |
| Noise level | dB(A) | 76 |
| Dimensions | cm | 80x66x150h |
| Weight | kg | 85 |
| Maximum vacuum | | 2500 |
| Continuous waterlift | | 2500 |
| Maximum air flow | | 540 |
| Motor Type | | Single-phase Bypass |
| Primary filter | | Star |
| Primary filter load | m ³ (m ² /h) | 180 |
| Primary filter surface area | cm ² | 30000 |
| Primary filter diameter | mm | 500 |
| Primary filter media | | Polyester |
| Filter class (IEC 60335-2-69) primary filter | | ANT M |
| Filter cleaning system | | Manual |
| Absolute HEPA Filter | | Optional |
| Filter area of the absolute filter | cm ² | 26500 |
| Absolute filter class (EN 1822-5) | | H14 with 99.995% efficiency according to the MPPS method |

OPTIONAL

| Code | Description | |
|---------------|--|-----------------|
| H | Additional H14 absolute filter | |
| ANT M | Antistatic Filter Class M | INCLUDED |
| M PTFE ANT | Class M filter with PTFE coating, antistatic. | |
| NOMEX | High temperature resistant filter | |
| X | AISI 304 stainless steel container | |
| XX | Steel container and filter chamber in AISI 304 stainless steel | |
| CIC | Cyclone for filter protection | |
| MT | Earth Grounding | |
| MT/ANT FILTER | Earth grounding - ANT Filter - Chain | |
| BSK | Holder basket for accessories | INCLUDED |
| STEEL RING | Ring for disposable bags | |
| DEPR | Pressure differential kit for use of disposable bag | |
| X/IP | Internal mirror polishing of the container | |
| XX/IP | Mirror polishing of the internal chamber | |



COPYRIGHT
COPYRIGHT

| MACHINE CODE | DESCRIPTION |
|--------------|----------------|
| DM3-001 | DM3 100L DT DS |

All data mentioned in this document may change without notice. All data contained in this document is subject to change without notice.