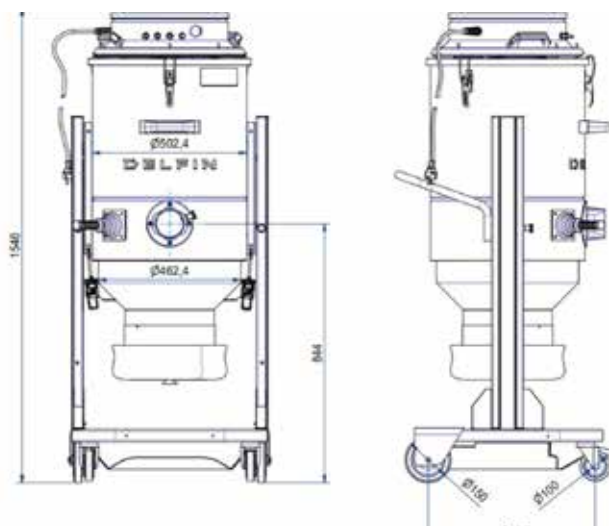


# DM3 EL

SINGLE-PHASE VACUUM CLEANER WITH SAFE BAGGING AND CONTINUOUS FILTER CLEANING



Filter category:



## FEATURES

Dust

Compact and mobile

Complete painted steel construction

class M, PTFE filter

Endless Bag system for safe dust collection and adjustable height to simplify transport on vans

All data mentioned in this document may change without notice. All data contained in this document is subject to change without notice.

**DELFIN**  
FOR A DUST-FREE WORLD  
[www.delfinvacuums.com](http://www.delfinvacuums.com)  
[delfin@delfinvacuums.it](mailto:delfin@delfinvacuums.it)

COPYRIGHT 2026 DELFIN S.R.L. ALL RIGHTS RESERVED  
COPYRIGHT 2026 DELFIN S.R.L. ALL RIGHTS RESERVED

## TECHNICAL DATA

		DM3EL-022
Voltage	V	230
Power	kW	3.45
Frequency	Hz	50
Current draw	A	15
Other Available Voltage	V	115
Suction inlet diameter	mm	80
Tank capacity	L.	20 m Endless bag
Noise level	dB(A)	76
Dimensions	cm	73x66x155h
Weight	kg	70
Maximum vacuum		2500
Continuous waterlift		2500
Maximum air flow		540
Motor Type		Single-phase Bypass
Primary filter		Star
Primary filter load	m <sup>3</sup> (m <sup>2</sup> /h)	180
Primary filter surface area	cm <sup>2</sup>	30000
Primary filter diameter	mm	500
Primary filter media		Polyester
Filter class (IEC 60335-2-69) primary filter		ANT M
Filter cleaning system		Manual
Absolute HEPA Filter		Optional
Filter area of the absolute filter	cm <sup>2</sup>	26500
Absolute filter class (EN 1822-5)		H14 with 99.995% efficiency according to the MPPS method

## OPTIONAL

Code	Description	
H	Additional H14 absolute filter	
ANT M	Antistatic Filter Class M	<b>INCLUDED</b>
M PTFE ANT	Class M filter with PTFE coating, antistatic.	
MT	Earth Grounding	
MT/ANT FILTER	Earth grounding - ANT Filter - Chain	



COPYRIGHT 2026 DELFIN S.R.L. ALL RIGHTS RESERVED  
COPYRIGHT 2026 DELFIN S.R.L. ALL RIGHTS RESERVED

MACHINE CODE	DESCRIPTION
DM3EL-022	DM3 ENDLESS BAG

All data mentioned in this document may change without notice. All data contained in this document is subject to change without notice.

**DELFIN**  
FOR A DUST-FREE WORLD

www.delfinvacuums.com  
delfin@delfinvacuums.it