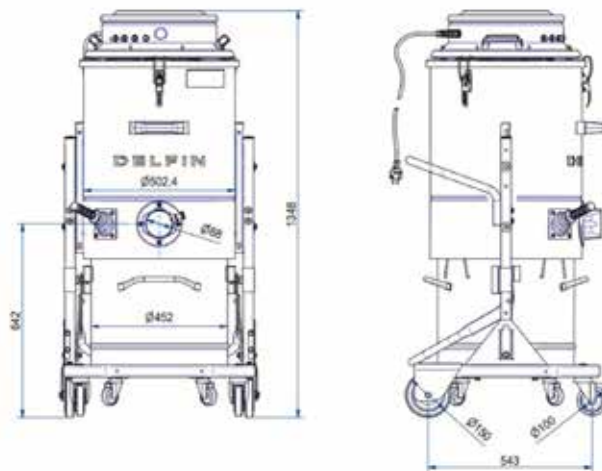


# DM3 EL

INDUSTRIAL VACUUM CLEANER FOR ALL APPLICATIONS



Filter category:



## FEATURES

Dust and solids

Compact and mobile

Complete painted steel construction  
class L with manual filter cleaning system

Power selection, with ready-to-use spare motor

All data mentioned in this document may change without notice. All data contained in this document is subject to change without notice.

**DELFIN**  
FOR A DUST-FREE WORLD  
[www.delfinvacuums.com](http://www.delfinvacuums.com)  
[delfin@delfinvacuums.it](mailto:delfin@delfinvacuums.it)

COPYRIGHT 2026 DELFIN S.R.L. ALL RIGHTS RESERVED  
COPYRIGHT 2026 DELFIN S.R.L. ALL RIGHTS RESERVED

## TECHNICAL DATA

		DM3EL-064
Voltage	V	230
Power	kW	3.45
Frequency	Hz	50
Current draw	A	15
Other Available Voltage	V	115
Suction inlet diameter	mm	80
Tank capacity	L.	60
Noise level	dB(A)	76
Dimensions	cm	70x66x134h
Weight	kg	77
Maximum vacuum		2500
Continuous waterlift		2500
Maximum air flow		540
Motor Type		Single-phase Bypass
Primary filter		Star
Primary filter load	m <sup>3</sup> (m <sup>2</sup> /h)	180
Primary filter surface area	cm <sup>2</sup>	30000
Primary filter diameter	mm	500
Primary filter media		Polyester
Filter class (IEC 60335-2-69) primary filter		L
Filter cleaning system		Manual
Absolute HEPA Filter		Optional
Filter area of the absolute filter	cm <sup>2</sup>	26500
Absolute filter class (EN 1822-5)		H14 with 99.995% efficiency according to the MPPS method

## OPTIONAL

Code	Description
H	Additional H14 absolute filter
ANT M	Antistatic Filter Class M
M PTFE ANT	Class M filter with PTFE coating, antistatic.
NOMEX	High temperature resistant filter
X	AISI 304 stainless steel container
XX	Steel container and filter chamber in AISI 304 stainless steel
XXX	Chamber chassis, container and trolley in AISI 304 stainless steel
CIC	Cyclone for filter protection
MT	Earth Grounding
MT/ANT FILTER	Earth grounding - ANT Filter - Chain
BSK	Holder basket for accessories
STEEL RING	Ring for disposable bags
DEPR	Pressure differential kit for use of disposable bag
X/IP	Internal mirror polishing of the container
XX/IP	Mirror polishing of the internal chamber



COPYRI  
COPYRI

MACHINE CODE	DESCRIPTION
DM3EL-064	DM3 EL 60L DT DS CYCLONE KITØ50

All data mentioned in this document may change without notice. All data contained in this document is subject to change without notice.

**DELFIN**  
FOR A DUST-FREE WORLD

www.delfinvacuums.com  
delfin@delfinvacuums.it