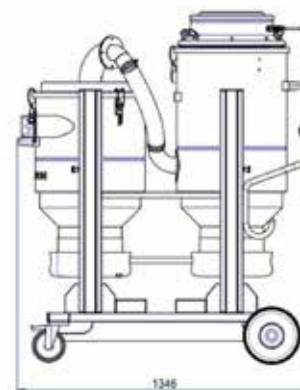
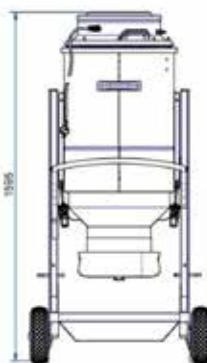


DM3 PSR

INDUSTRIAL VACUUM CLEANER FOR HAZARDOUS DUST WITH INTEGRATED CYCLONE

Filter category:



FEATURES

Dust and solids

Compact and mobile, thanks to the double telescopic units that allow for height adjustment
Complete painted steel construction

Integrated cyclonic unit and large Pocket filter with manual cleaning

Integrated cyclonic unit and dual Endless Bag collection unit

DELFIN
FOR A DUST-FREE WORLD
www.delfinvacuums.com
delfin@delfinvacuums.it

All data mentioned in this document may change without notice. All data contained in this document is subject to change without notice.

COPYRIGHT 2026 DELFIN S.R.L. ALL RIGHTS RESERVED
COPYRIGHT 2026 DELFIN S.R.L. ALL RIGHTS RESERVED

TECHNICAL DATA

		DM3PSR-001
Voltage	V	230
Power	kW	3.45
Frequency	Hz	50
Current draw	A	15
Suction inlet diameter	mm	80
Tank capacity	L.	2x Endless Bag 20 m
Noise level	dB(A)	76
Dimensions	cm	135x80x162h
Weight	kg	105
Maximum vacuum	mmH2O	2500
Continuous waterlift	mmH2O	2500
Maximum air flow	m ³ /h	540
Motor Type		Single-phase Bypass
Primary filter		Star
Primary filter surface area	cm ²	30000
Primary filter diameter	mm	500
Primary filter media		Polyester
Filter class (IEC 60335-2-69) primary filter		M PTFE
Filter cleaning system		Manual
Absolute HEPA Filter		Optional
Filter area of the absolute filter	cm ²	26000
Absolute filter class (EN 1822-5)		H14 with 99.995% efficiency according to the MPPS method

OPTIONAL

Code	Description
H	Additional H14 absolute filter



COPYRIGHT 2026 DELFIN S.R.L. ALL RIGHTS RESERVED
COPYRIGHT 2026 DELFIN S.R.L. ALL RIGHTS RESERVED

MACHINE CODE	DESCRIPTION
DM3PSR-001	DM3 PSR WITH INTEGRATED CYCLONE/ CON CICLONE INTEGRATO

All data mentioned in this document may change without notice. All data contained in this document is subject to change without notice.

DELFIN
FOR A DUST-FREE WORLD

www.delfinvacuums.com
delfin@delfinvacuums.it