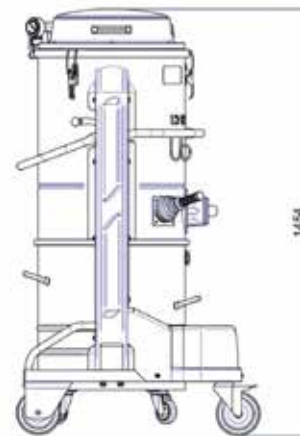
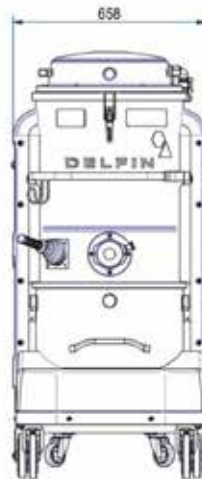


# DM AIREX 25V 1/3D

INDUSTRIAL VACUUM CLEANER WITH COMPRESSED AIR ATEX CERTIFIED FOR ZONE 20 INTERNAL AND ZONE 22 EXTERNAL



Filter category:



## FEATURES

Dust and solids

Compact, sturdy and mobile

Complete painted steel construction

Maintenance free double Venturi suction unit, with high performance

All data mentioned in this document may change without notice. All data contained in this document is subject to change without notice.

**DELFIN**  
FOR A DUST-FREE WORLD  
[www.delfinvacuums.com](http://www.delfinvacuums.com)  
[delfin@delfinvacuums.it](mailto:delfin@delfinvacuums.it)

COPYRIGHT 2026 DELFIN S.R.L. ALL RIGHTS RESERVED  
COPYRIGHT 2026 DELFIN S.R.L. ALL RIGHTS RESERVED

## TECHNICAL DATA

 **OPTIONAL**

		DMAIREX25VZ22-001
Use Zone		ATEX Zone: 20 Internal/22 External
Marking		II 1/3D Ex h IIIC T80°C Da/Dc
Ex Category		1/3D (20 int/22 ext)
Suction inlet diameter	mm	80
Tank capacity	L.	100
Noise level	dB(A)	74
Dimensions	cm	62x62x145h
Weight	kg	80
Voltage	nL/min ( <sup>3</sup> /h)	2500 (150)
Air Supply Pressure	bar	6
External air supply hose diameter	mm	12
Maximum vacuum	mmH2O	5000
Continuous waterlift	mmH2O	5000
Maximum air flow	m <sup>3</sup> /h	590
Motor Type		Compressed Air / Venturi
Primary filter		Star
Primary filter surface area	cm <sup>2</sup>	30000
Primary filter diameter	mm	500
Primary filter media		Polyester
Filter class (IEC 60335-2-69) primary filter		ANT M
Filter cleaning system		Manual
Absolute HEPA Filter		Standard
Filter area of the absolute filter	cm <sup>2</sup>	26000
Absolute filter class (EN 1822-5)		H14 with 99.995% efficiency according to the MPPS method

Code	Description
M PTFE ANT	Class M filter with PTFE coating, antistatic.
X	AISI 304 stainless steel container



COPYRIGHT 2026 DELFIN S.R.L. ALL RIGHTS RESERVED  
COPYRIGHT 2026 DELFIN S.R.L. ALL RIGHTS RESERVED

MACHINE CODE	DESCRIPTION
DMAIREX25VZ22-001	DM AIREX HD 1/3D - IEC EX AC/DC 25V 100L DT DS H MT ANT

All data mentioned in this document may change without notice. All data contained in this document is subject to change without notice.

**DELFIN**  
FOR A DUST-FREE WORLD

www.delfinvacuums.com  
delfin@delfinvacuums.it