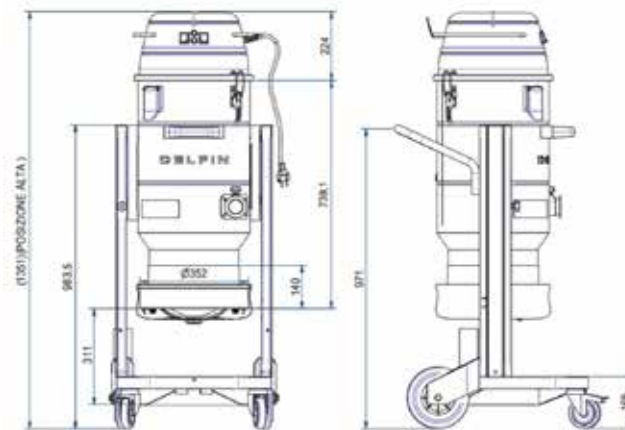


# MTL 202 DS LP

INDUSTRIAL VACUUM CLEANER WITH ENDLESS BAG COLLECTION BAG  
FOR SAFE SUCTION OF FINE DUST



Filter category:



## FEATURES

Dust and solids

Compact and mobile

Complete painted steel construction

PTFE filter, class M with Dustop filter cleaning system

Integrated cyclone and endless bag version

All data mentioned in this document may change without notice. All data contained in this document is subject to change without notice.

**DELFIN**  
FOR A DUST-FREE WORLD  
[www.delfinvacuums.com](http://www.delfinvacuums.com)  
[delfin@delfinvacuums.it](mailto:delfin@delfinvacuums.it)

COPYRIGHT 2026 DELFIN S.R.L. ALL RIGHTS RESERVED  
COPYRIGHT 2026 DELFIN S.R.L. ALL RIGHTS RESERVED

## TECHNICAL DATA

		MTL202DSLP-001
Voltage	V	230
Power	kW	2.3
Frequency	Hz	50
Current draw	A	10
Other Available Voltage	V	115
Suction inlet diameter	mm	50
Tank capacity	L.	20 m Endless bag
Noise level	dB(A)	76
Dimensions	cm	53x63x135h
Weight	kg	55
Maximum vacuum		2500
Continuous waterlift		2500
Maximum air flow		360
Motor Type		Single-phase Bypass
Primary filter		Cartridge
Primary filter surface area	cm2	30000
Primary filter diameter	mm	360
Primary filter media		PTFE polyester
Filter class (IEC 60335-2-69) primary filter		M
Filter cleaning system		Dustop
Absolute HEPA Filter		Optional
Filter area of the absolute filter	cm2	20500
Absolute filter class (EN 1822-5)		H14 with 99.995% efficiency according to the MPPS method

## OPTIONAL

Code	Description	
EL/SYST	Power socket for power tools with automatic start	
H	Additional H14 absolute filter	
ANT M		
MT	Earth Grounding	
MT/ANT FILTER	Earth grounding - ANT Filter - Chain	
BSK	Holder basket for accessories	
HOOK	3-meter hose reel	
SD	Manual guillotine	<b>INCLUDED</b>



COPYRIGHT 2026 DELFIN S.R.L. ALL RIGHTS RESERVED  
COPYRIGHT 2026 DELFIN S.R.L. ALL RIGHTS RESERVED

MACHINE CODE	DESCRIPTION
MTL202DSLP-001	MTL202DS Endless Bag Dustop Kit Ø40

All data mentioned in this document may change without notice. All data contained in this document is subject to change without notice.

**DELFIN**  
FOR A DUST-FREE WORLD

www.delfinvacuums.com  
delfin@delfinvacuums.it