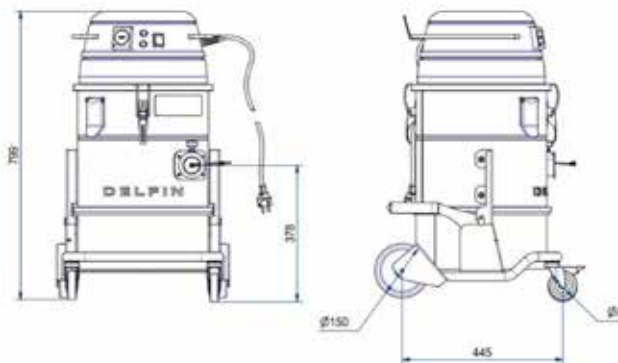


# MTL 301 DUST

THE PROFESSIONAL INDUSTRIAL VACUUM CLEANER

Filter category:



## FEATURES

Dust and solids

Compact and mobile

Complete painted steel construction

High efficiency class M with Dustop filter cleaning system

Additional plug for electrical tool connection and detachable container with carrying handle

All data mentioned in this document may change without notice. All data contained in this document is subject to change without notice.

**DELFIN**  
FOR A DUST-FREE WORLD  
[www.delfinvacuums.com](http://www.delfinvacuums.com)  
[delfin@delfinvacuums.it](mailto:delfin@delfinvacuums.it)

COPYRIGHT 2026 DELFIN S.R.L. ALL RIGHTS RESERVED  
COPYRIGHT 2026 DELFIN S.R.L. ALL RIGHTS RESERVED

## TECHNICAL DATA

		MTL301DUST-001
Voltage	V	230
Power	kW	1.15
Frequency	Hz	<
Current draw	A	5
Other Available Voltage	V	115
Suction inlet diameter	mm	50
Tank capacity	L.	13
Noise level	dB(A)	74
Dimensions	cm	48x59x80h
Weight	kg	25
Maximum vacuum		2500
Continuous waterlift		2500
Maximum air flow		180
Motor Type		Single-phase Bypass
Primary filter		Cartridge
Primary filter load	m <sup>3</sup> (m <sup>2</sup> /h)	300
Primary filter surface area	cm <sup>2</sup>	6000
Primary filter diameter	mm	360
Primary filter media		PTFE polyester
Filter class (IEC 60335-2-69) primary filter		M
Filter cleaning system		Dustop
Absolute HEPA Filter		Optional
Filter area of the absolute filter	cm <sup>2</sup>	20500
Absolute filter class (EN 1822-5)		H14 with 99.995% efficiency according to the MPPS method

## OPTIONAL

Code	Description
EL/SYST	Power socket for power tools with automatic start
H	Additional H14 absolute filter
ANT M	Class M anti-static filter
X	AISI 304 stainless steel container
XX	Steel container and filter chamber in AISI 304 stainless steel
MT	Earth Grounding
MT/ANT FILTER	Earth grounding - ANT Filter - Chain



COPYRIGHT 2026 DELFIN S.R.L. ALL RIGHTS RESERVED  
COPYRIGHT 2026 DELFIN S.R.L. ALL RIGHTS RESERVED

MACHINE CODE	DESCRIPTION
MTL301DUST-001	MTL301 DUSTOP 13L DT KITØ40

All data mentioned in this document may change without notice. All data contained in this document is subject to change without notice.

**DELFIN**  
FOR A DUST-FREE WORLD

www.delfinvacuums.com  
delfin@delfinvacuums.it