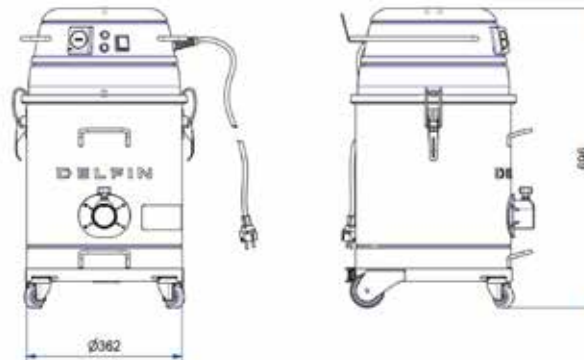


MTL 401 DRY H

COMPACT VACUUM CLEANER

Filter category:



FEATURES

Dust and solids

Compact, sturdy and mobile

Complete painted steel construction

3 filtration stages, filter bag, class M filter and absolute H filter

Additional plug for electrical tool connection on the 401DRY

COPYRIGHT 2026 DELFIN S.R.L. ALL RIGHTS RESERVED
COPYRIGHT 2026 DELFIN S.R.L. ALL RIGHTS RESERVED

All data mentioned in this document may change without notice. All data contained in this document is subject to change without notice.

DELFIN
FOR A DUST-FREE WORLD
www.delfinvacuums.com
delfin@delfinvacuums.it

TECHNICAL DATA

		MTL401DRY-001
Voltage	V	230
Power	kW	1.15
Frequency	Hz	50
Current draw	A	5
Other Available Voltage	V	115
Suction inlet diameter	mm	50
Tank capacity	L.	20
Noise level	dB(A)	74
Dimensions	cm	38x48x70h
Weight	kg	23
Maximum vacuum		2500
Continuous waterlift		2500
Maximum air flow		180
Motor Type		Single-phase Bypass
Primary filter		Bag
Primary filter media		PTFE polyester
Filter class (IEC 60335-2-69) primary filter		M
Absolute HEPA Filter		Included
Absolute filter class (EN 1822-5)		H14 with 99.995% efficiency according to the MPPS method

OPTIONAL

Code	Description
EL/SYST	Power socket for power tools with automatic start



COPYRIGHT 2026 DELFIN S.R.L. ALL RIGHTS RESERVED
COPYRIGHT 2026 DELFIN S.R.L. ALL RIGHTS RESERVED

MACHINE CODE	DESCRIPTION
MTL401DRY-001	MTL 401DRY H KITØ40

All data mentioned in this document may change without notice. All data contained in this document is subject to change without notice.

DELFIN
FOR A DUST-FREE WORLD

www.delfinvacuums.com
delfin@delfinvacuums.it