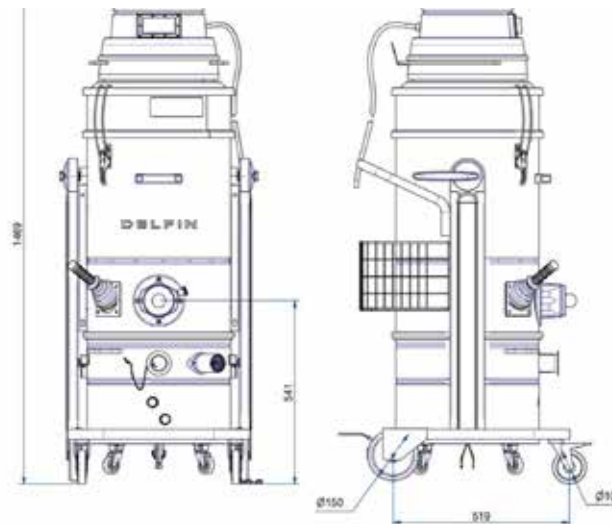


MTL451INERTZ21-001

COMPACT SINGLE-PHASE INDUSTRIAL VACUUM CLEANER ATEX CERTIFIED



Filter category:



FEATURES

Dust and solids

Compact and mobile

painted steel construction, AISI304 container

Polyester M ANT, integrated manual filter cleaning and filter clogging indicator

Ex tb suction head with IP64-certified dust-tight seal. Neutralization system for reactive dusts with performance testing according to EN17348. ATEX accessories and tested non-metallic parts

Compliance with EN IEC 62784:2018 for Zone 22

All data mentioned in this document may change without notice. All data contained in this document is subject to change without notice.

D E L F I N
FOR A DUST-FREE WORLD
www.delfinvacuums.com
delfin@delfinvacuums.it

COPYRIGHT 2026 DELFIN S.R.L. ALL RIGHTS RESERVED
COPYRIGHT 2026 DELFIN S.R.L. ALL RIGHTS RESERVED

TECHNICAL DATA

 OPTIONAL

		MTL451INERTZ21-001
Use Zone		ATEX Zone: 20 Internal/21 External
Marking		II 1/2D Ex h tb IIIC T80°C (Int) /T95°C (ext) Da/Db
Ex Category		1/2D (20 int/21 ext)
Voltage	V	230
Power	kW	1.1
Frequency	Hz	50/60
Current draw	A	8
Other Available Voltage	V	115
Suction inlet diameter	mm	50
Noise level	dB(A)	74
Dimensions	cm	58x70x147h
Weight	kg	52
Inerting liquid capacity	L.	10
Inerting liquid capacity + Suctioned material		15
Maximum vacuum	mmH2O	2250
Continuous waterlift	mmH2O	2250
Maximum air flow	m ³ /h	215
Motor Type		Single-phase Brushless
Primary filter		Star
Primary filter load	m ³ (m ² /h)	120
Primary filter surface area	cm ²	20000
Primary filter diameter	mm	500
Primary filter media		Polyester
Filter class (IEC 60335-2-69) primary filter		ANT M
Filter cleaning system		Manual
Absolute HEPA Filter		Included



COPYRIGHT 2026 DELFIN S.R.L. ALL RIGHTS RESERVED
COPYRIGHT 2026 DELFIN S.R.L. ALL RIGHTS RESERVED

MACHINE CODE	DESCRIPTION
MTL451INERTZ21-001	MTL 451 EX 1/2D - IEC EX Da/Db 1BL 45L DT DS X H INERT

All data mentioned in this document may change without notice. All data contained in this document is subject to change without notice.

DELFIN
FOR A DUST-FREE WORLD

www.delfinvacuums.com
delfin@delfinvacuums.it