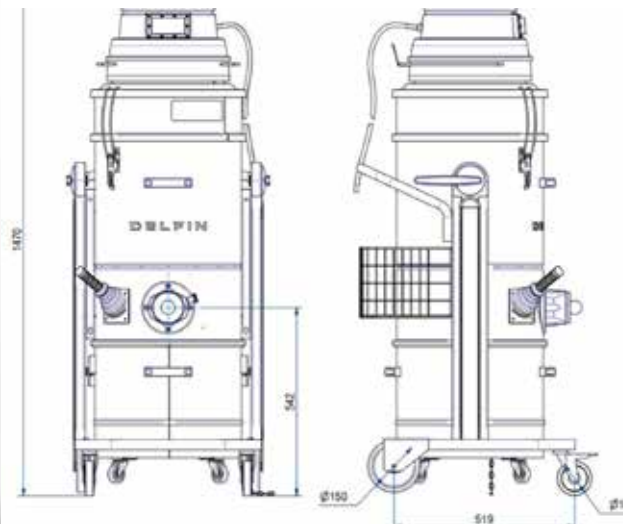


# MTL451 1/2D

SINGLE-PHASE INDUSTRIAL VACUUM CLEANER ATEX CERTIFIED FOR INTERNAL ZONE 20 AND EXTERNAL ZONE 21



Filter category:



## FEATURES

Dust and solids / suitable for work in zone 21 (cat 2D)

Compact and mobile

AISI 304 stainless steel tank; Filter: polyester, class M anti-static; integrated manual cleaning system

Certified Ex tb Dust Tight IP64 head, ATEX-tested accessories and non-metallic parts

Compliance with EN IEC 62784:2018 for Zone 22

All data mentioned in this document may change without notice. All data contained in this document is subject to change without notice.

**D E L F I N**  
FOR A DUST-FREE WORLD  
[www.delfinvacuums.com](http://www.delfinvacuums.com)  
[delfin@delfinvacuums.it](mailto:delfin@delfinvacuums.it)

COPYRIGHT 2026 DELFIN S.R.L. ALL RIGHTS RESERVED  
COPYRIGHT 2026 DELFIN S.R.L. ALL RIGHTS RESERVED

## TECHNICAL DATA

 OPTIONAL

		MTL451Z21-001
Use Zone		ATEX Zone: 20 Internal/21 External
Marking		II 1/2D Ex h tb IIIC T80°C (Int) / T95°C (ext) Da/Db
Ex Category		1/2D (20 int/21 ext)
Voltage	V	230
Power	kW	1.1
Frequency	Hz	50/60
Current draw	A	8
Suction inlet diameter	mm	80
Tank capacity	L.	45
Noise level	dB(A)	74
Dimensions	cm	58x70x147h
Weight	kg	57
Maximum vacuum	mmH2O	2250
Continuous waterlift	mmH2O	2250
Maximum air flow	m <sup>3</sup> /h	215
Motor Type		Single-phase Brushless
Primary filter		Star
Primary filter load	m <sup>3</sup> (m <sup>2</sup> /h)	108
Primary filter surface area	cm <sup>2</sup>	20000
Primary filter diameter	mm	420
Primary filter media		Polyester
Filter class (IEC 60335-2-69) primary filter		ANT M
Filter cleaning system		Manual
Absolute HEPA Filter		Standard
Filter area of the absolute filter	cm <sup>2</sup>	20600
Absolute filter class (EN 1822-5)		H14 with 99.995% efficiency according to the MPPS method



COPYRIGHT 2026 DELFIN S.R.L. ALL RIGHTS RESERVED  
COPYRIGHT 2026 DELFIN S.R.L. ALL RIGHTS RESERVED

MACHINE CODE	DESCRIPTION
MTL451Z21-001	MTL451 EX 1/2D - IECEX Da/Db 1BL 45L DT DS X H KIT 40

All data mentioned in this document may change without notice. All data contained in this document is subject to change without notice.

**DELFIN**  
FOR A DUST-FREE WORLD

www.delfinvacuums.com  
delfin@delfinvacuums.it