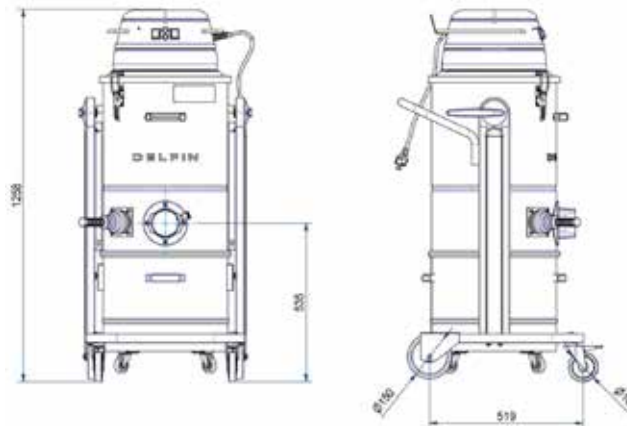


MTL 452 DS

VACUUM CLEANER FOR MIXED SOLID/LIQUID APPLICATIONS



Filter category:



FEATURES

Dust and solids

Compact and mobile

Complete painted steel construction

class L with manual filter cleaning system

Power selection, with ready-to-use spare motor

All data mentioned in this document may change without notice. All data contained in this document is subject to change without notice.

DELFIN
FOR A DUST-FREE WORLD
www.delfinvacuums.com
delfin@delfinvacuums.it

COPYRIGHT 2026 DELFIN S.R.L. ALL RIGHTS RESERVED
COPYRIGHT 2026 DELFIN S.R.L. ALL RIGHTS RESERVED

TECHNICAL DATA

		MTL452DS-001
Voltage	V	230
Power	kW	2.3
Frequency	Hz	50
Current draw	A	10
Other Available Voltage	V	115
Suction inlet diameter	mm	80
Tank capacity	L.	45
Noise level	dB(A)	76
Dimensions	cm	58x70x126h
Weight	kg	48
Maximum vacuum		2500
Continuous waterlift		2500
Maximum air flow		360
Motor Type		Single-phase Bypass
Primary filter		Star
Primary filter load	m ³ (m ² /h)	180
Primary filter surface area	cm ²	20000
Primary filter diameter	mm	420
Primary filter media		Polyester
Filter class (IEC 60335-2-69) primary filter		L
Filter cleaning system		Manual
Absolute HEPA Filter		Optional
Filter area of the absolute filter	cm ²	28000
Absolute filter class (EN 1822-5)		H14 with 99.995% efficiency according to the MPPS method

OPTIONAL

Code	Description
H	Additional H14 absolute filter
HX	Absolute filter kit with stainless steel extension band
ANT M	Antistatic Filter Class M
M PTFE ANT	Class M filter with PTFE coating, antistatic.
NOMEX	High temperature resistant filter
X	AISI 304 stainless steel container
XX	Steel container and filter chamber in AISI 304 stainless steel
XXX	Chamber chassis, container and trolley in AISI 304 stainless steel
CIC	Cyclone for filter protection
MT	Earth Grounding
MT/ANT FILTER	Earth grounding - ANT Filter - Chain
BSK	Holder basket for accessories
HOOK	3-meter hose reel
TOOLMAN	Rubber wheels for uneven floors
STEEL RING	Ring for disposable bags
DEPR	Pressure differential kit for use of disposable bag
X/IP	Internal mirror polishing of the container
XX/IP	Mirror polishing of the internal chamber



MACHINE CODE	DESCRIPTION
MTL452DS-001	MTL452 45L DT DS KIT Ø50

All data mentioned in this document may change without notice. All data contained in this document is subject to change without notice.

DELFIN
FOR A DUST-FREE WORLD

www.delfinvacuums.com
delfin@delfinvacuums.it