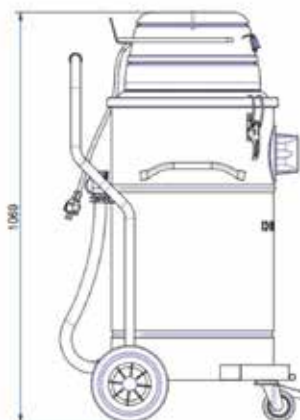
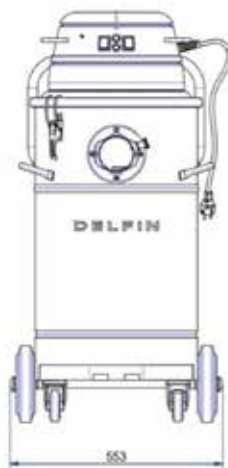


# MTL 802 WD

INDUSTRIAL WET VACUUM CLEANER



Filter category:



## FEATURES

Wet and dry

Compact and mobile

Complete painted steel construction

All data mentioned in this document may change without notice. All data contained in this document is subject to change without notice.

**DELFIN**  
FOR A DUST-FREE WORLD  
[www.delfinvacuums.com](http://www.delfinvacuums.com)  
[delfin@delfinvacuums.it](mailto:delfin@delfinvacuums.it)

COPYRIGHT 2026 DELFIN S.R.L. ALL RIGHTS RESERVED  
COPYRIGHT 2026 DELFIN S.R.L. ALL RIGHTS RESERVED

## TECHNICAL DATA

 OPTIONAL

		MTL802WD-001
Voltage	V	230
Power	kW	2.3
Frequency	Hz	50
Current draw	A	10
Other Available Voltage	V	115
Suction inlet diameter	mm	80
Tank capacity	L.	80
Noise level	dB(A)	76
Dimensions	cm	56x60x107h
Weight	kg	40
Maximum vacuum		2500
Continuous waterlift		2500
Maximum air flow		360
Motor Type		Single-phase Bypass
Primary solid filter (dry)		Bag
Filter class (IEC 60335-2-69) for dry particulate filter		L
Filter surface area - solid filter (dry)	cm <sup>2</sup>	5000
Diameter of the solid filter (dry)	mm	420
Filter media for primary solid filter (dry)		Nylon + Polyester
Primary filter (wet)		Bag
Filter area - liquid filter (wet)	cm <sup>2</sup>	5
Diameter of liquid filter (wet)	mm	420
Filter media for liquid filter (wet)		Polypropylene
Filtration	µm	300



COPYRIGHT 2026 DELFIN S.R.L. ALL RIGHTS RESERVED  
COPYRIGHT 2026 DELFIN S.R.L. ALL RIGHTS RESERVED

MACHINE CODE	DESCRIPTION
MTL802WD-001	MTL802WD KITØ40

All data mentioned in this document may change without notice. All data contained in this document is subject to change without notice.

**DELFIN**  
FOR A DUST-FREE WORLD

www.delfinvacuums.com  
delfin@delfinvacuums.it