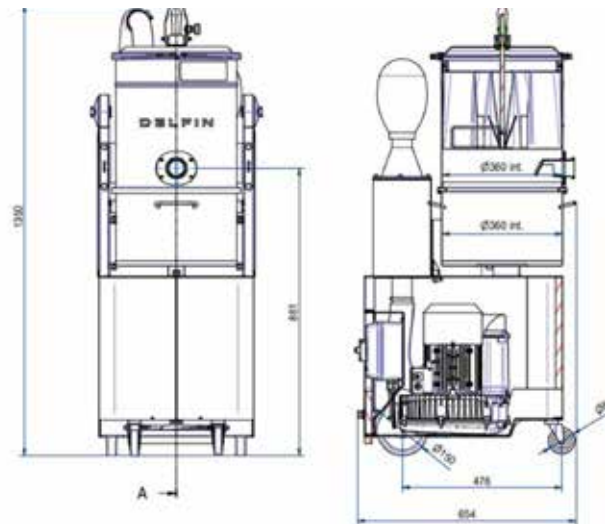


PHARMA 20.18

COMPACT INDUSTRIAL VACUUM CLEANER FOR PHARMACEUTICAL INDUSTRY



Filter category:



FEATURES

Compact, quiet and flexible industrial vacuum cleaner for on-board machine suction

Star filter with integrated ergonomic cleaning system and an H14 absolute filter (optional) installed for the air exiting the vacuum cleaner

Option to use safety filter bags for collecting and disposing of material

AISI 304 stainless steel tank with butt-welded bottom, satin-finished exterior and polished interior, with carrying handle. Clamp $\varnothing 50$ quick coupling suction inlet in stainless steel

All data mentioned in this document may change without notice. All data contained in this document is subject to change without notice.

DELFIN
FOR A DUST-FREE WORLD
www.delfinvacuums.com
delfin@delfinvacuums.it

COPYRIGHT 2026 DELFIN S.R.L. ALL RIGHTS RESERVED
COPYRIGHT 2026 DELFIN S.R.L. ALL RIGHTS RESERVED

TECHNICAL DATA

		PHARMA20.18-001
Voltage	V	400
Power	kW	2.5
Frequency	Hz	50
Current draw	A	5.0
Suction inlet diameter	mm	AISI 304 ø50 clamp
Tank capacity	L.	22
Noise level	dB(A)	70
Dimensions	cm	69x51x135h
Weight	kg	75
Maximum vacuum	mmH2O	3000
Continuous waterlift	mmH2O	2200
Maximum air flow	m³/h	270
Motor Type		Three-phase Turbine
Primary filter		Star
Primary filter surface area	cm2	12000
Primary filter diameter	mm	360
Primary filter media		Antistatic polyester
Filter class (IEC 60335-2-69) primary filter		M
Filter cleaning system		Manual
Absolute HEPA Filter		Optional
Filter area of the absolute filter	cm2	20500
Absolute filter class (EN 1822-5)		H14 with 99.995% efficiency according to the MPPS method

OPTIONAL

Code	Description
FDA	FDA-certified antistatic filter
H	Additional H14 absolute filter
XX	Steel container and filter chamber in AISI 304 stainless steel
XXX	Chamber chassis, container and trolley in AISI 304 stainless steel
MT	Earth Grounding
XX/IP	Mirror polishing of the internal chamber
SB	Safe bagging system (1 bag)
SP	Single-phase suction unit



COPYRIGHT 2026 DELFIN S.R.L. ALL RIGHTS RESERVED
COPYRIGHT 2026 DELFIN S.R.L. ALL RIGHTS RESERVED

MACHINE CODE	DESCRIPTION
PHARMA20.18-001	PHARMA 20 1.8kW 22L DT DS X

All data mentioned in this document may change without notice. All data contained in this document is subject to change without notice.

DELFIN
FOR A DUST-FREE WORLD

www.delfinvacuums.com
delfin@delfinvacuums.it