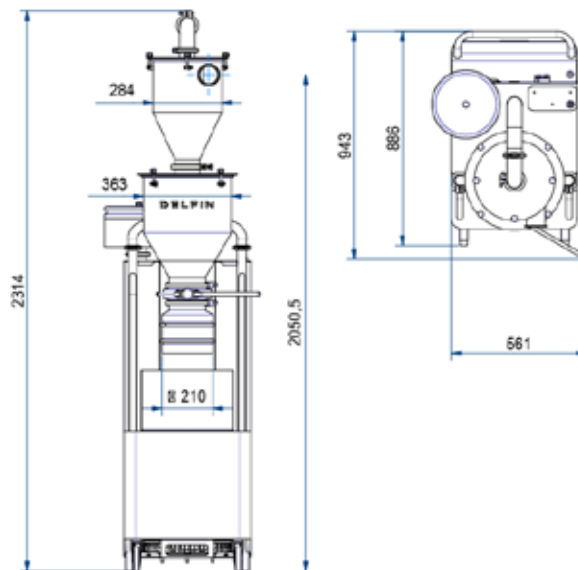


PHARMA 40.40 DC

VACUUM CLEANER FOR CONTAINMENT OF PHARMACEUTICAL DUST HPA-PI OEB4 AND OEB5



Filter category:



FEATURES

Integrated solutions with OEB4 certified filtration

H14 absolute filter with BIBO system and stainless steel housing

Dust separation efficiency $\geq 98\%$ (placebo powder), direct suction from machinery

Frame in satin-finished AISI304 stainless steel. Cyclone, suction inlet, hopper, and discharge made of polished AISI 316 stainless steel

All data mentioned in this document may change without notice. All data contained in this document is subject to change without notice.

DELFIN
FOR A DUST-FREE WORLD
www.delfinvacuums.com
delfin@delfinvacuums.it

COPYRIGHT 2026 DELFIN S.R.L. ALL RIGHTS RESERVED
COPYRIGHT 2026 DELFIN S.R.L. ALL RIGHTS RESERVED

TECHNICAL DATA

		PHARMA40.40DC-001
Voltage	V	400
Power	kW	4.6
Frequency	Hz	50
Current draw	A	8.6
Suction inlet diameter	mm	3" clamp
Tank capacity	L.	25
Noise level	dB(A)	70
Dimensions	cm	95x56x232h
Weight	kg	160
Maximum vacuum	mmH2O	3200
Continuous waterlift	mmH2O	2300
Maximum air flow	m ³ /h	420
Motor Type		Three-phase Turbine
Filter area of the absolute filter	cm2	20500
Absolute filter class (EN 1822-5)		H14 with 99.995% efficiency according to the MPPS method
BI-BO System (Bag-Out) absolute filter		n.1 H14/IN (BI-BO) + n.1 H14 OUT
Filter surface area of the BI-BO System (Bag-Out)		20500
Filter class of the BI-BO System (Bag-In Bag-Out)		H14 with 99.995% efficiency according to the MPPS method
Discharge system		Butterfly valve ø150 AISI316
Pressure relief valve		Included

OPTIONAL

Code	Description	
WIP	Washing in place	
PHOTOELIC	24V electric management and control on request	
H/OUT	H14 absolute filter kit downstream of the air intake	INCLUDED
HX/IN	H14 absolute filter with BIBO system and stainless steel housing	INCLUDED
Butterfly valve	4" butterfly valve for continuous discharge	



COPYRIGHT 2026 DELFIN S.R.L. ALL RIGHTS RESERVED
COPYRIGHT 2026 DELFIN S.R.L. ALL RIGHTS RESERVED

MACHINE CODE	DESCRIPTION
PHARMA40.40DC-001	PHARMA 40DC KW4 420 MCH H14/IN - BIBO H14/OUT

All data mentioned in this document may change without notice. All data contained in this document is subject to change without notice.