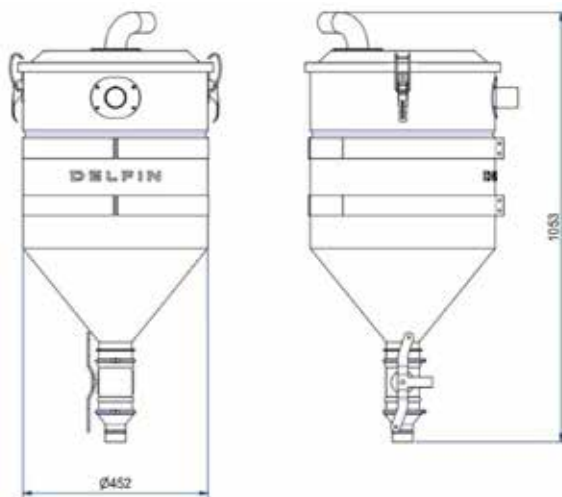


HOPPER

ARC WELDING FLUX RECOVERY UNIT FOR SUBMERGED ARC WELDING SYSTEMS



Filter category:



FEATURES

Arc welding flux recovery unit

Extreme modularity for optimal adaptation to the welding machine

All data mentioned in this document may change without notice. All data contained in this document is subject to change without notice.

DELFIN
FOR A DUST-FREE WORLD
www.delfinvacuums.com
delfin@delfinvacuums.it

COPYRIGHT 2026 DELFIN S.R.L. ALL RIGHTS RESERVED
COPYRIGHT 2026 DELFIN S.R.L. ALL RIGHTS RESERVED

TECHNICAL DATA

 OPTIONAL

		SEP.DLF-0037
Suction inlet diameter	mm	50
Tank capacity	L.	80
Dimensions	cm	50x52x110h
Weight	kg	22



COPYRIGHT 2026 DELFIN S.R.L. ALL RIGHTS RESERVED
COPYRIGHT 2026 DELFIN S.R.L. ALL RIGHTS RESERVED

MACHINE CODE	DESCRIPTION
SEP.DLF-0037	D450 LT80 SUCTION HOPPER

All data mentioned in this document may change without notice. All data contained in this document is subject to change without notice.

DELFIN
FOR A DUST-FREE WORLD

www.delfinvacuums.com
delfin@delfinvacuums.it