

PRESEPARATOR 1000

MOBILE CYCLONIC PRESEPARATOR HIGH EFFICIENCY 1MC
Ø1200



Filter category:



FEATURES

High-efficiency cyclonic Preseparators with male spherical connections

Available in two versions: mobile with bottom discharge via a door, fixed with a conical container and a 250 mm butterfly valve

All data mentioned in this document is subject to change without notice. All data contained in this document is subject to change without notice.

DELFIN
FOR A DUST-FREE WORLD
www.delfinvacuums.com
delfin@delfinvacuums.it

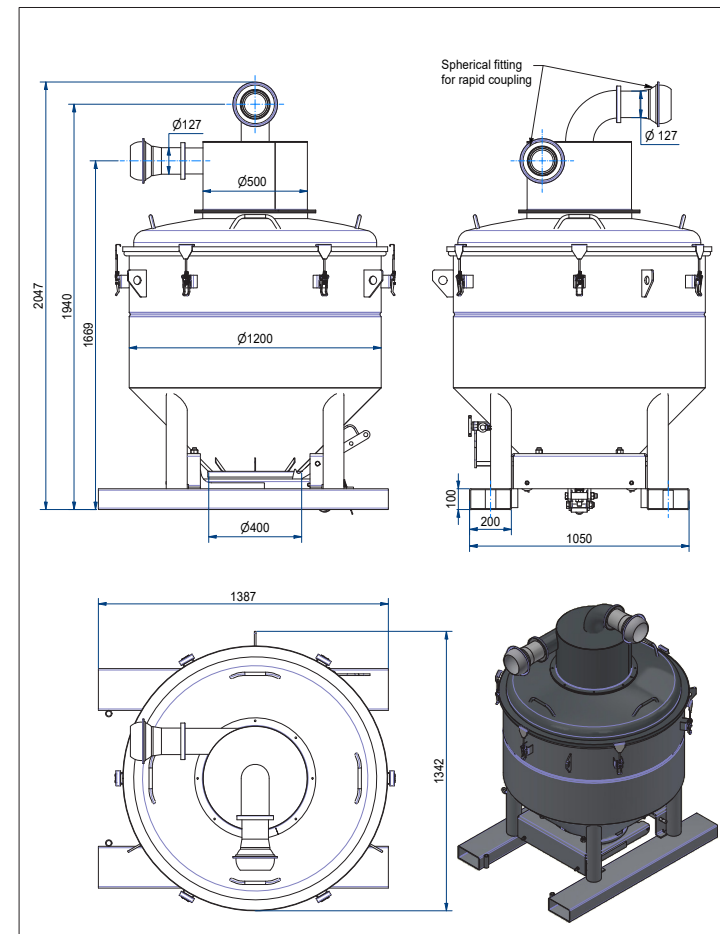
COPYRIGHT 2026 DELFIN S.R.L. ALL RIGHTS RESERVED
COPYRIGHT 2026 DELFIN S.R.L. ALL RIGHTS RESERVED

TECHNICAL DATA

		SEP.DLF-0084
Suction inlet diameter	mm	127
Tank capacity	L.	1000
Dimensions	cm	140x130x291h
Weight	kg	360
Discharge system		Hatch Ø400

OPTIONAL

ST.1762.7011Z	Adjustable frame for big-bag discharge hopper Ø780
ST.0618.7011Z	Adjustable frame for big-bag discharge hopper Ø1200



COPYRIGHT 2026 DELFIN S.R.L. ALL RIGHTS RESERVED
COPYRIGHT 2026 DELFIN S.R.L. ALL RIGHTS RESERVED

MACHINE CODE	DESCRIPTION
SEP.DLF-0084	1MC Preseparator Ø1200

All data mentioned in this document is subject to change without notice. All data contained in this document is subject to change without notice.

DELFIN
FOR A DUST-FREE WORLD

www.delfinvacuums.com
delfin@delfinvacuums.it