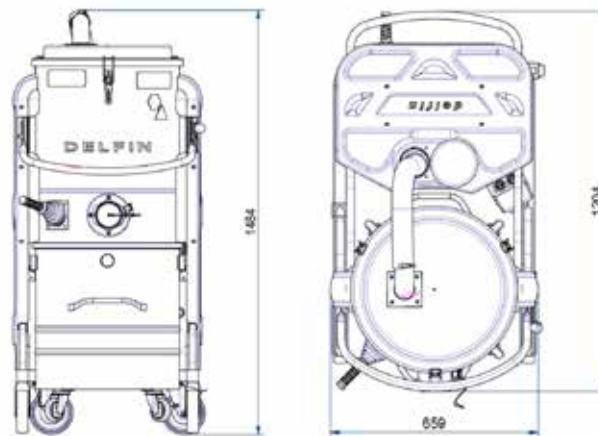


DG 50 EXP Z2/Z22

ATEX CERTIFIED INDUSTRIAL VACUUM CLEANER ON WHEELS FOR DUST, SOLIDS AND LIQUIDS



Filter category:



FEATURES

Dust and solids

Compact, stable and mobile

Complete painted steel construction

Antistatic polyester class M with integrated filter cleaning system, standard H14 filter

Safety relief valve included, detachable container (bagging possible), side-channel blower and control panel certified to ATEX Category 3GD for Z22 and Z2

Compliance with EN IEC 62784:2018 for Zone 22

DELFIN
FOR A DUST-FREE WORLD
www.delfinvacuums.com
delfin@delfinvacuums.it

TECHNICAL DATA

 OPTIONAL

| | | Z2/22DG50EXP-001 |
|--|------------------------------------|---|
| Use Zone | | ATEX Zone 22 Dust and Zone 2 Gas |
| Marking | | II 3D Ex h IIIC T135°C Dc - II 3G Ex h IIB + H2 T4 Gc |
| Ex Category | | 3D (20 in / 22 out) 3G (2 in / 2 out) |
| Voltage | V | 400 |
| Power | kW | 4 |
| Frequency | Hz | 50 |
| Current draw | A | 8.4 |
| Suction inlet diameter | mm | 80 |
| Tank capacity | L. | 100 |
| Noise level | dB(A) | 72 |
| Dimensions | cm | 67x120x145h |
| Weight | kg | 137 |
| Electrical protection | IP | 65 |
| Maximum vacuum | mmH2O | 3200 |
| Continuous waterlift | mmH2O | 2700 |
| Maximum air flow | m ³ /h | 420 |
| Motor Type | | Three-phase Turbine |
| Primary filter | | Star |
| Primary filter load | m ³ (m ² /h) | 140 |
| Primary filter surface area | cm ² | 30000 |
| Primary filter diameter | mm | 500 |
| Primary filter media | | Polyester |
| Filter class (IEC 60335-2-69) primary filter | | ANT PTFE |
| Filter cleaning system | | Manual |
| Absolute HEPA Filter | | Included |
| Filter area of the absolute filter | cm ² | 26000 |



COPYRIGHT 2026 DELFIN S.R.L. ALL RIGHTS RESERVED
COPYRIGHT 2026 DELFIN S.R.L. ALL RIGHTS RESERVED

| MACHINE CODE | DESCRIPTION |
|-----------------|-------------------------------------|
| Z222DG50EXP-001 | DG50 EXP Z2/22 CAT 3GD 100L DT DS H |

All data mentioned in this document may change without notice. All data contained in this document is subject to change without notice.

DELFIN
FOR A DUST-FREE WORLD

www.delfinvacuums.com
delfin@delfinvacuums.it