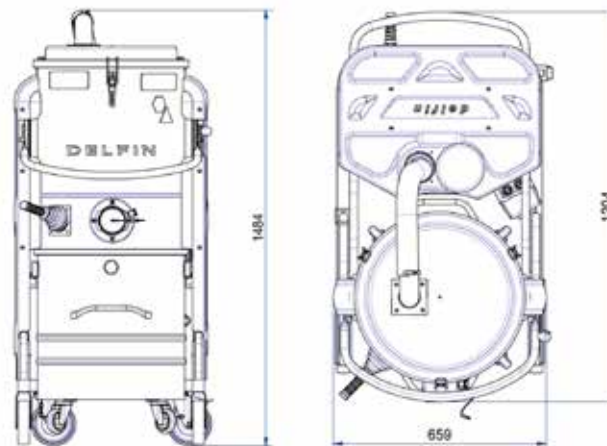


DG 70 EXP Z2/Z22

ATEX CERTIFIED INDUSTRIAL VACUUM CLEANER ON WHEELS FOR DUST, SOLIDS AND LIQUIDS



Filter category:



FEATURES

Dust / Solids

Compact, stable and mobile

Complete painted steel construction

Antistatic polyester class M with integrated filter cleaning system, standard H14 filter

Safety relief valve included, detachable container (bagging possible), side-channel blower and control panel certified to ATEX Category 3GD for Z22 and Z2

Compliance with EN IEC 62784:2018 for Zone 22

DELFIN
FOR A DUST-FREE WORLD
www.delfinvacuums.com
delfin@delfinvacuums.it

TECHNICAL DATA

 OPTIONAL

		Z2/22DG70EXP-001
Use Zone		ATEX Zone 22 Dust and Zone 2 Gas
Marking		II 3D Ex h IIIC T135°C Dc - II 3G Ex h IIB + H2 T4 Gc
Ex Category		3D (20 in / 22 out) 3G (2 in / 2 out)
Voltage	V	400
Power	kW	5.5
Frequency	Hz	50
Current draw	A	11.1
Suction inlet diameter	mm	80
Tank capacity	L.	100
Noise level	dB(A)	75
Dimensions	cm	67x120x160h
Weight	kg	150
Electrical protection	IP	65
Maximum vacuum	mmH2O	3600
Continuous waterlift	mmH2O	3000
Maximum air flow	m ³ /h	530
Motor Type		Three-phase Turbine
Primary filter		Star
Primary filter load	m ³ (m ² /h)	176
Primary filter surface area	cm ²	20000
Primary filter diameter	mm	420
Primary filter media		Polyester
Filter class (IEC 60335-2-69) primary filter		ANT PTFE
Filter cleaning system		Manual
Absolute HEPA Filter		Included



COPYRIGHT 2026 DELFIN S.R.L. ALL RIGHTS RESERVED
COPYRIGHT 2026 DELFIN S.R.L. ALL RIGHTS RESERVED

MACHINE CODE	DESCRIPTION
Z222DG70EXP-001	DG70 EXP Z2/22 CAT 3GD 100L DT DS H

All data mentioned in this document may change without notice. All data contained in this document is subject to change without notice.

DELFIN
FOR A DUST-FREE WORLD

www.delfinvacuums.com
delfin@delfinvacuums.it