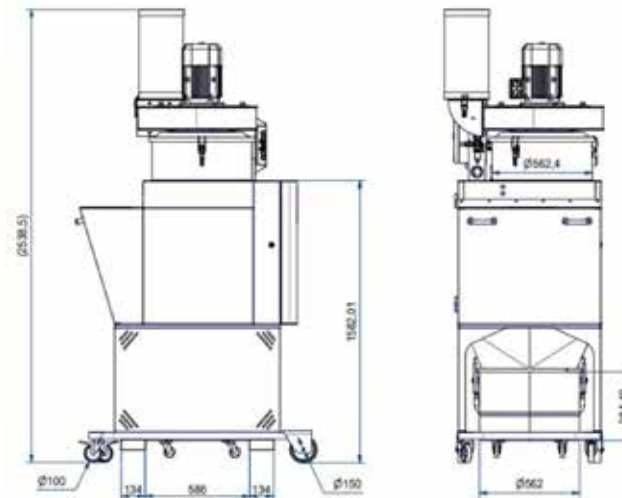


Z22CUBE20K4PN-001

CHIP VACUUM CLEANER WITH AUTOMATIC FILTRATION CLEANING SYSTEM



Filter category:



FEATURES

Fine airborne dust, dust, and chips with fixed suction on the machine

Industrial construction with high durability and easy maintenance, with forklift entry points

2 Class M polyester cartridge filters with large filtration surface area and HEPA

Filter Cleaning: automatic filter cleaning system using compressed air during suction.

Complete painted steel construction

All data mentioned in this document may change without notice. All data contained in this document is subject to change without notice.

DELFIN
FOR A DUST-FREE WORLD
www.delfinvacuums.com
delfin@delfinvacuums.it

COPYRIGHT 2026 DELFIN S.R.L. ALL RIGHTS RESERVED
COPYRIGHT 2026 DELFIN S.R.L. ALL RIGHTS RESERVED

TECHNICAL DATA

		Z22CUBE20K4PN-001
Use Zone		ATEX Zone: 20 Internal/22 External
Marking		II 1/3D Ex h IIIC T100°C (int) / T135°C (ext) Da/Dc
Ex Category		1/3D (20 int/22 ext)
Voltage	V	400
Power	kW	4
Frequency	Hz	50
Current draw	A	7.6
Suction inlet diameter	mm	1 x 200 / 2 x 150
Tank capacity	L.	90
Noise level	dB(A)	74
Dimensions	cm	135x89x255h
Weight	kg	250
Electrical protection	IP	65
Maximum vacuum	mmH2O	370
Continuous waterlift	mmH2O	370
Maximum air flow	m³/h	3500
Motor Type		Electric fan
Primary filter		2x cartridges
Primary filter surface area	cm2	200000
Primary filter media		Polyester
Filter class (IEC 60335-2-69) primary filter		Teflon ANT M
Filter cleaning system		Automatic PN
Absolute HEPA Filter		Standard
Absolute filter class (EN 1822-5)		H14 with 99.995% efficiency according to the MPPS method

OPTIONAL

Code	Description	
X	AISI 304 stainless steel container	
MT	Earth Grounding	INCLUDED
LOC/REM (ATEX+25%)	Remote control (with 24V electric panel if not present) +25% ATEX	



COPYRIGHT 2026 DELFIN S.R.L. ALL RIGHTS RESERVED
COPYRIGHT 2026 DELFIN S.R.L. ALL RIGHTS RESERVED

MACHINE CODE	DESCRIPTION
Z22CUBE20K4PN-001	CUBE 20 PNEUMATIC KW4 ATEX 22 H

All data mentioned in this document may change without notice. All data contained in this document is subject to change without notice.

DELFIN
FOR A DUST-FREE WORLD

www.delfinvacuums.com
delfin@delfinvacuums.it