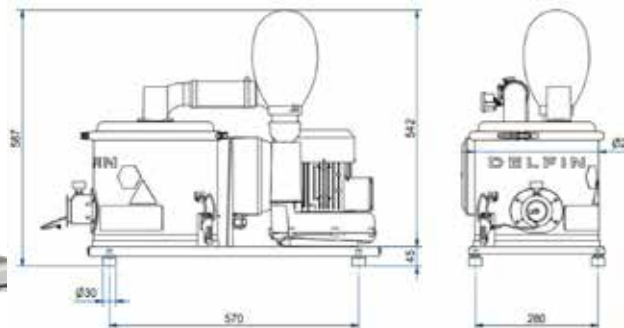


DBF 5 Z22

COMPACT INDUSTRIAL WASTE SUCTION UNIT ATEX CERTIFIED



Filter category:



FEATURES

Fixed suction unit on board the machine

Compact and horizontal construction

complete steel construction

Filter M and H14 cartridge

Modular components for installation on machinery and production lines. Highly modular and suitable for integration into OEM machines and production lines. Ex-certified, dust-tight side-channel blower and control panel

Compliance with EN IEC 62784:2018 for Zone 22

All data mentioned in this document may change without notice. All data contained in this document is subject to change without notice.

DELFIN
FOR A DUST-FREE WORLD
www.delfinvacuums.com
delfin@delfinvacuums.it

COPYRIGHT 2026 DELFIN S.R.L. ALL RIGHTS RESERVED
COPYRIGHT 2026 DELFIN S.R.L. ALL RIGHTS RESERVED

TECHNICAL DATA

		Z22DBF05-001
Use Zone		ATEX Zone: 20 Internal/22 External
Marking		II 1/3D Ex h tb IIIC T135°C (Int) / T195°C (ext) Da/Dc
Ex Category		1/3D (20 int/22 ext)
Voltage	V	400
Power	kW	0.37
Frequency	Hz	50
Current draw	A	1.04
Suction inlet diameter	mm	50
Tank capacity	L.	15
Noise level	dB(A)	65
Dimensions	cm	75x34x42h
Weight	kg	30
Electrical protection	IP	65
Maximum vacuum	mmH2O	1500
Continuous waterlift	mmH2O	1100
Maximum air flow	m ³ /h	100
Motor Type		Three-phase Turbine
Primary filter		Bag
Primary filter surface area	cm ²	2000
Primary filter diameter	mm	280
Primary filter media		Polyester
Filter class (IEC 60335-2-69) primary filter		ANT M
Absolute HEPA Filter		Included
Absolute filter class (EN 1822-5)		H14 with 99.995% efficiency according to the MPPS method
Pressure relief valve		Included

OPTIONAL

Code	Description
X	AISI 304 stainless steel container
XXX	Chamber chassis, container and trolley in AISI 304 stainless steel



COPYRIGHT 2026 DELFIN S.R.L. ALL RIGHTS RESERVED
COPYRIGHT 2026 DELFIN S.R.L. ALL RIGHTS RESERVED

MACHINE CODE	DESCRIPTION
Z22DBF05-001	DBF 05 Z22 H MT ANT

All data mentioned in this document may change without notice. All data contained in this document is subject to change without notice.

DELFIN
FOR A DUST-FREE WORLD

www.delfinvacuums.com
delfin@delfinvacuums.it