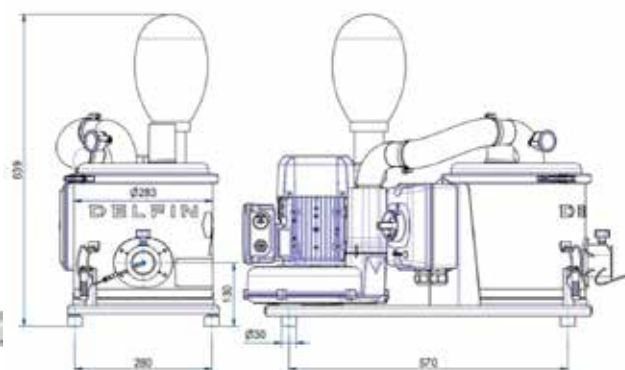


# DBF 10 Z22

COMPACT INDUSTRIAL WASTE SUCTION UNIT ATEX CERTIFIED



Filter category:



## FEATURES

Fixed suction unit on board the machine

Compact and horizontal construction

complete steel construction

Filter M and H14 cartridge

Modular components for installation on machinery and production lines. Highly modular and suitable for integration into OEM machines and production lines. Ex-certified, dust-tight side-channel blower and control panel. Compliance with EN IEC 62784:2018 for Zone 22

All data mentioned in this document may change without notice. All data contained in this document is subject to change without notice.

**DELFIN**  
FOR A DUST-FREE WORLD  
[www.delfinvacuums.com](http://www.delfinvacuums.com)  
[delfin@delfinvacuums.it](mailto:delfin@delfinvacuums.it)

COPYRIGHT 2026 DELFIN S.R.L. ALL RIGHTS RESERVED  
COPYRIGHT 2026 DELFIN S.R.L. ALL RIGHTS RESERVED

## TECHNICAL DATA

		Z22DBF10-001
Use Zone		ATEX Zone: 20 Internal/22 External
Marking		II 1/3D Ex h tb IIC T135°C (Int) / T195°C (ext) Da/Dc
Ex Category		1/3D (20 int/22 ext)
Voltage	V	400
Power	kW	1.35
Frequency	Hz	50
Current draw	A	2.1
Suction inlet diameter	mm	50
Tank capacity	L.	15
Noise level	dB(A)	70
Dimensions	cm	76x34x45h
Weight	kg	35
Electrical protection	IP	65
Maximum vacuum	mmH2O	2000
Continuous waterlift	mmH2O	1800
Maximum air flow	m <sup>3</sup> /h	150
Motor Type		Three-phase Turbine
Primary filter		Bag
Primary filter surface area	cm <sup>2</sup>	2000
Primary filter diameter	mm	280
Primary filter media		Polyester
Filter class (IEC 60335-2-69) primary filter		ANT M
Absolute filter class (EN 1822-5)		H14 with 99.995% efficiency according to the MPPS method
Pressure relief valve		Included

## OPTIONAL

Code	Description
X	AISI 304 stainless steel container
XXX	Chamber chassis, container and trolley in AISI 304 stainless steel



COPYRIGHT 2026 DELFIN S.R.L. ALL RIGHTS RESERVED  
COPYRIGHT 2026 DELFIN S.R.L. ALL RIGHTS RESERVED

MACHINE CODE	DESCRIPTION
Z22DBF10-001	DBF 10 Z22 H MT ANT

All data mentioned in this document may change without notice. All data contained in this document is subject to change without notice.

**DELFIN**  
FOR A DUST-FREE WORLD

www.delfinvacuums.com  
delfin@delfinvacuums.it