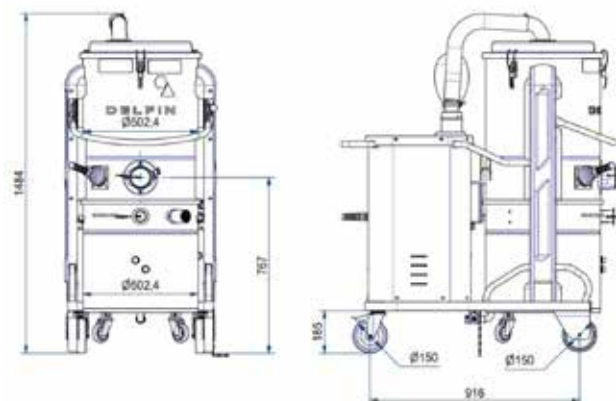


EXP 70 INERT

INDUSTRIAL VACUUM CLEANER ON WHEELS ATEX ZONE 22 CERTIFIED FOR EXPLOSIVE AND CONDUCTIVE DUST



Filter category:



FEATURES

Dust and solids

Compact and mobile

Painted steel construction with ABS accessory holder

Antistatic polyester class M with integrated manual filter cleaning

Safety relief valve included, continuous service, maintenance-free, Compliant with EN IEC 62784:2018 for Zone 22

Compliance with EN IEC 62784:2018 for Zone 25

DELFIN
FOR A DUST-FREE WORLD
www.delfinvacuums.com
delfin@delfinvacuums.it

TECHNICAL DATA

 OPTIONAL

		Z22DG70EXPINERT-001
Use Zone		ATEX Zone: 20 Internal/22 External
Marking		II 1/3D Ex h tb IIIC T135°C (Int) / T195°C (ext) Da/Dc
Ex Category		1/3D (20 int/22 ext)
Voltage	V	400
Power	kW	6.3
Frequency	Hz	50
Current draw	A	11.8
Suction inlet diameter	mm	50
Noise level	dB(A)	75
Dimensions	cm	67x120x160h
Weight	kg	150
Inerting liquid capacity	L.	37
Inerting liquid capacity + Suctioned material		44
Maximum vacuum	mmH2O	3600
Continuous waterlift	mmH2O	3200
Maximum air flow	m ³ /h	530
Motor Type		Three-phase Turbine
Primary filter		Star
Primary filter load	m ³ (m ² /h)	176
Primary filter surface area	cm ²	30000
Primary filter diameter	mm	500
Primary filter media		Polyester
Filter class (IEC 60335-2-69) primary filter		ANT M
Filter cleaning system		Manual
Absolute HEPA Filter		Standard
Filter area of the absolute filter	cm ²	52000



COPYRIGHT 2026 DELFIN S.R.L. ALL RIGHTS RESERVED
COPYRIGHT 2026 DELFIN S.R.L. ALL RIGHTS RESERVED

MACHINE CODE	DESCRIPTION
Z22DG70EXPINERT-001	DG 50 EXP Z22 INERTING H X with Inert stainless steel container

All data mentioned in this document may change without notice. All data contained in this document is subject to change without notice.

DELFIN
FOR A DUST-FREE WORLD

www.delfinvacuums.com
delfin@delfinvacuums.it