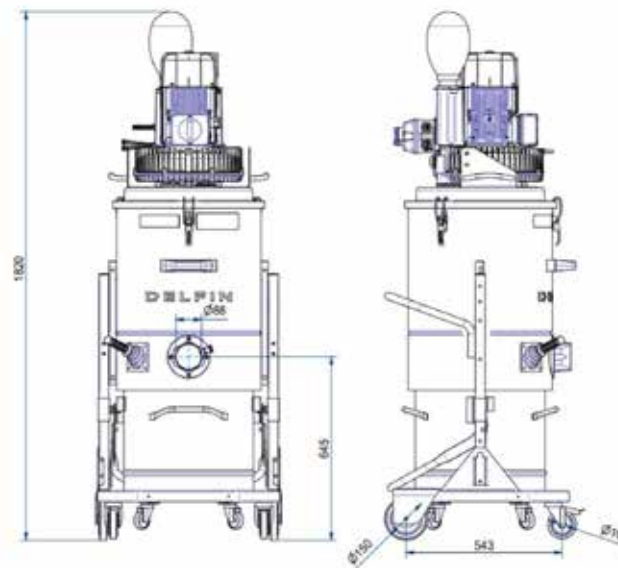


# ZFR EL MN

INDUSTRIAL VACUUM CLEANER FOR ALL APPLICATIONS



Filter category:



## FEATURES

Dust and solids

Compact and mobile

Complete painted steel construction

class L with manual filter cleaning system

All data mentioned in this document may change without notice. All data contained in this document is subject to change without notice.

**DELFIN**  
FOR A DUST-FREE WORLD  
[www.delfinvacuums.com](http://www.delfinvacuums.com)  
[delfin@delfinvacuums.it](mailto:delfin@delfinvacuums.it)

## TECHNICAL DATA

		ZFRELMN-001
Voltage	V	230
Power	kW	2.2
Frequency	Hz	50
Current draw	A	12
Suction inlet diameter	mm	80
Tank capacity	L	60
Noise level	dB(A)	76
Dimensions	cm	70x65x182h
Weight	kg	90
Electrical protection	IP	65
Maximum vacuum		2500
Continuous waterlift		1900
Maximum air flow		318
Motor Type		Single-phase Turbine
Primary filter		Star
Primary filter load	m <sup>3</sup> (m <sup>2</sup> /h)	106
Primary filter surface area	cm <sup>2</sup>	30000
Primary filter diameter	mm	500
Primary filter media		Polyester
Filter class (IEC 60335-2-69) primary filter		L
Filter cleaning system		Manual
Absolute HEPA Filter		Optional
Filter area of the absolute filter	cm <sup>2</sup>	26000
Absolute filter class (EN 1822-5)		H14 with 99.995% efficiency according to the MPPS method
Pressure relief valve		Included

MACHINE CODE	DESCRIPTION
ZFRELMN-001	ZFR EL SINGLE PHASE 60L DT DS KITØ50

## OPTIONAL

Code	Description
H	Additional H14 absolute filter
ANT M	Antistatic Filter Class M
M PTFE	Class M filter with PTFE coating
X	AISI 304 stainless steel container
XX	Steel container and filter chamber in AISI 304 stainless steel
XXX	Chamber chassis, container and trolley in AISI 304 stainless steel
CIC	Cyclone for filter protection
MT	Earth Grounding
MT/ANT FILTER	Earth grounding - ANT Filter - Chain
LOC/REM (ATEX+25%)	Remote control (with 24V electric panel if not present) +25% ATEX
ENDLESS BAG KIT	Kit with continuous bag
X/IP	Internal mirror polishing of the container



COPYRIGHT 2026 DELFIN S.R.L. ALL RIGHTS RESERVED

**DELFIN**  
FOR A DUST-FREE WORLD

www.delfinvacuums.com  
delfin@delfinvacuums.it

All data mentioned in this document may change without notice. All data contained in this document is subject to change without notice.