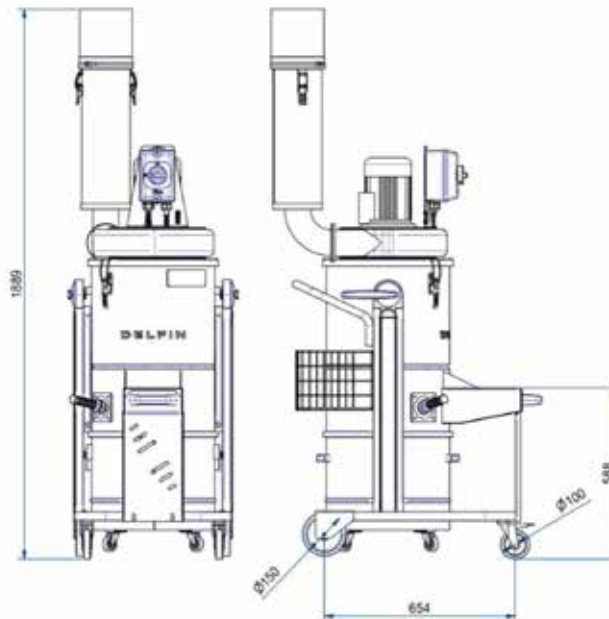


ZFR EV 420 K07

INDUSTRIAL DUST COLLECTOR FOR FINE DUST AND AIRBORNE FUMES



Filter category:



FEATURES

For fine dust suspended in the air

Compact and mobile

Complete painted steel construction

Polyester class L/M with manual filter cleaning system

High air flow dust collector

All data mentioned in this document may change without notice. All data contained in this document is subject to change without notice.

DELFIN
FOR A DUST-FREE WORLD
www.delfinvacuums.com
delfin@delfinvacuums.it

COPYRIGHT 2026 DELFIN S.R.L. ALL RIGHTS RESERVED
COPYRIGHT 2026 DELFIN S.R.L. ALL RIGHTS RESERVED

TECHNICAL DATA

		ZFREV420-001
Voltage	V	400
Power	kW	1.15
Frequency	Hz	50
Current draw	A	1.7
Suction inlet diameter	mm	100
Tank capacity	L.	45
Noise level	dB(A)	70
Dimensions	cm	58x93x190h
Weight	kg	60
Electrical protection	IP	65
Maximum vacuum	mmH2O	180
Continuous waterlift	mmH2O	180
Maximum air flow	m ³ /h	1000
Motor Type		Electric fan
Primary filter		Star
Primary filter surface area	cm2	20000
Primary filter diameter	mm	420
Primary filter media		Polyester
Filter class (IEC 60335-2-69) primary filter		L
Filter cleaning system		Manual

OPTIONAL

Code	Description
H	Additional H14 absolute filter
ANT M	Antistatic Filter Class M
CA	Activated carbon filter
CA + H	Activated carbon filter + Absolute filter
X	AISI 304 stainless steel container
XX	Steel container and filter chamber in AISI 304 stainless steel
XXX	Chamber chassis, container and trolley in AISI 304 stainless steel
MT	Earth Grounding



COPYRIGHT 2026 DELFIN S.R.L. ALL RIGHTS RESERVED
COPYRIGHT 2026 DELFIN S.R.L. ALL RIGHTS RESERVED

MACHINE CODE	DESCRIPTION
ZFREV420-001	ZEFIRO EV 420 45L DT DS

All data mentioned in this document may change without notice. All data contained in this document is subject to change without notice.

DELFIN
FOR A DUST-FREE WORLD

www.delfinvacuums.com
delfin@delfinvacuums.it