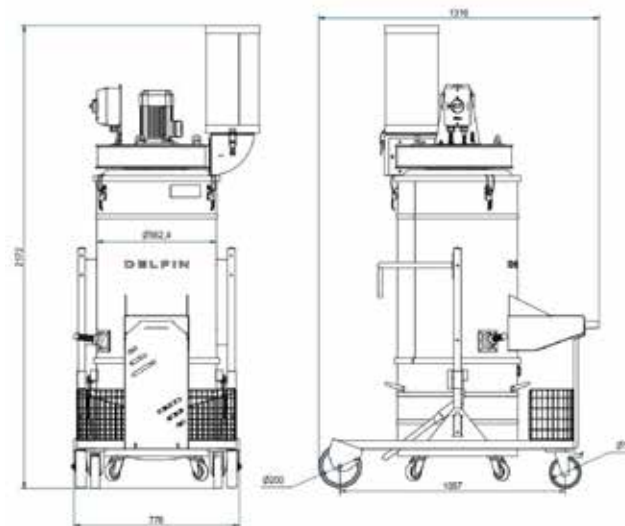


# ZFR EV AP 560 K1

PHARMACEUTICAL DUST COLLECTOR AND INDUSTRIAL VACUUM CLEANER  
ATEX ZONE 22 CERTIFIED, FOR FINE DUST AND CHIPS

Filter category:



## FEATURES

For fine dust suspended in the air

Compact and mobile

Complete painted steel construction

Polyester class L/M with manual filter cleaning system

High air flow dust collector

COPYRIGHT 2026 DELFIN S.R.L. ALL RIGHTS RESERVED  
COPYRIGHT 2026 DELFIN S.R.L. ALL RIGHTS RESERVED

All data mentioned in this document may change without notice. All data contained in this document is subject to change without notice.

**DELFIN**  
FOR A DUST-FREE WORLD  
[www.delfinvacuums.com](http://www.delfinvacuums.com)  
[delfin@delfinvacuums.it](mailto:delfin@delfinvacuums.it)

## TECHNICAL DATA

 OPTIONAL

		ZFREVP560K1-001
Voltage	V	400
Power	kW	1.1
Frequency	Hz	50
Current draw	A	2.4
Suction inlet diameter	mm	200
Tank capacity	L.	100
Noise level	dB(A)	72
Dimensions	cm	78x132x214h
Weight	kg	100
Electrical protection	IP	65
Maximum vacuum	mmH2O	160
Continuous waterlift	mmH2O	160
Maximum air flow	m <sup>3</sup> /h	1500
Motor Type		Electric fan
Primary filter		Star
Primary filter surface area	cm2	50000
Primary filter diameter	mm	560
Primary filter media		Polyester
Filter class (IEC 60335-2-69) primary filter		ANT M
Filter cleaning system		Manual



COPYRIGHT 2026 DELFIN S.R.L. ALL RIGHTS RESERVED  
COPYRIGHT 2026 DELFIN S.R.L. ALL RIGHTS RESERVED

MACHINE CODE	DESCRIPTION
ZFREVP560K1-001	ZFREV AP ø560 KW1.1

All data mentioned in this document may change without notice. All data contained in this document is subject to change without notice.

**DELFIN**  
FOR A DUST-FREE WORLD

www.delfinvacuums.com  
delfin@delfinvacuums.it